

Barudan

COMPUTER MONOGRAM MACHINE

MODEL **BEAT** 704
706
708
BEAT M704
M706
M708

PARTS LIST

V10014

BARUDAN CO., LTD.

ADDRESS 20-TSUKAGOSHI, JOSUJI
ICHINOMIYA-CITY, AICHI-PREF.
JAPAN

TEL. <0586 >76-1137
TELEX 4573268 BARUNA J
CABLE BARUNA ICHINOMIYA

BEAT—704 • 706 • 708
 BEAT—M704 • M706 • M708

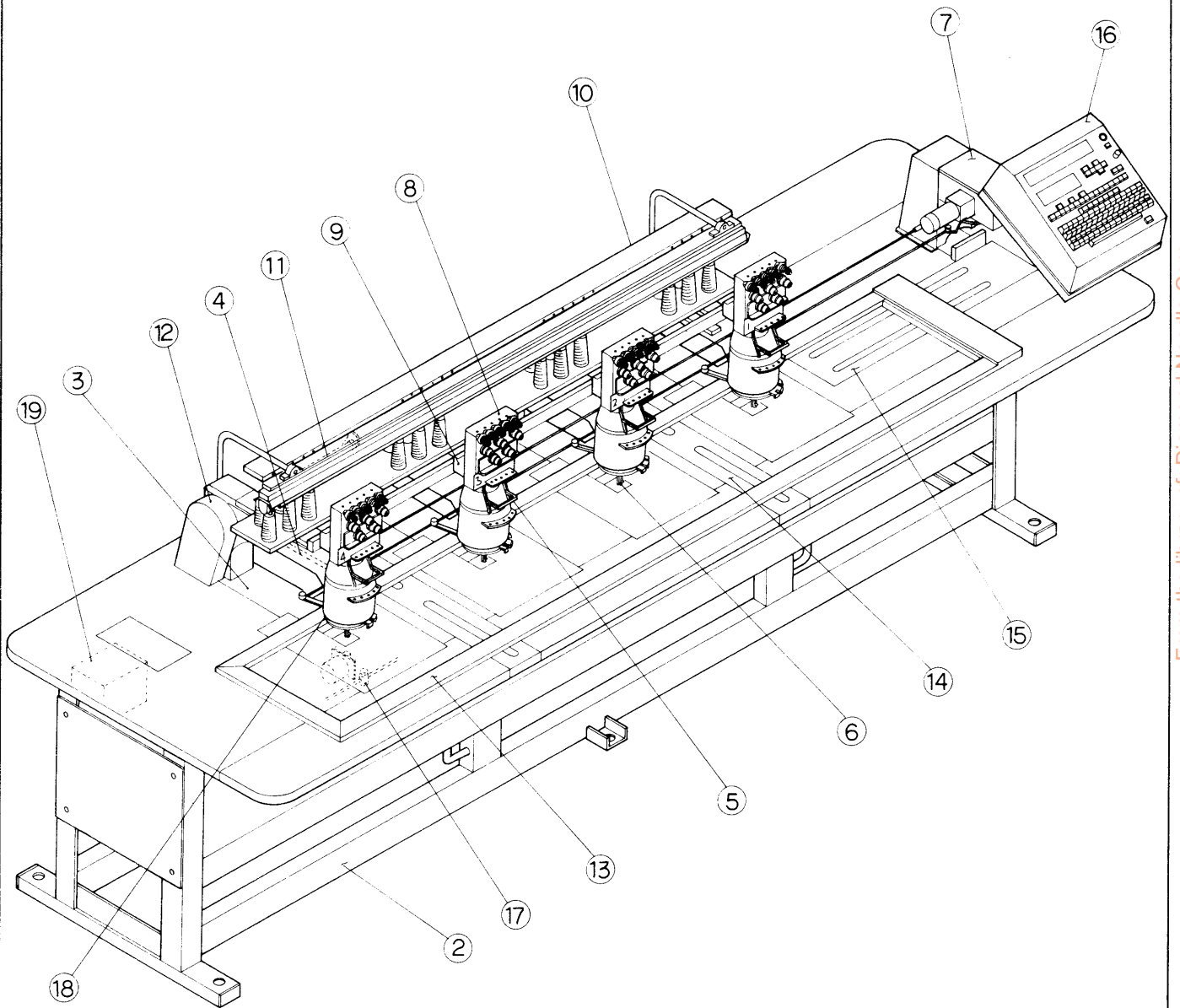
PARTS LIST

I N D E X

ITEM No.	Page No.
①Machine layout	1
②Table-Frame	7
③Bed Assy	25
④Top shaft, Vertical shaft	27
⑤Needle bar-Take up lever mechanism I (5)	29
⑤Needle bar-Take up lever mechanism I (7)	31
⑥Needle bar-Take up lever mechanism II (5)	33
⑥Needle bar-Take up lever mechanism II (7)	35
⑦Color change mechanism	37
⑧Thread guide mechanism (5)	39
⑧Thread guide mechanism (7)	41
⑨Jamp mechanism	43
⑩Option	45
⑪Connecting rod mechanism	47
⑫Drive mechanism	49
⑬Pantograph drive mechanism I	51
⑭Pantograph drive mechanism (H Direction) II 320×520	57
⑭Pantograph drive mechanism (H Direction) II 320×450• 320×350	59
⑮Pantograph drive mechanism (V Direction) III 320×520	61
⑯Control system I	63
⑯Control system II	65
⑰Thread cutting mechanism I	67
⑱Thread cutting mechanism II	69
⑲Thread cutting dive mechanism III	71

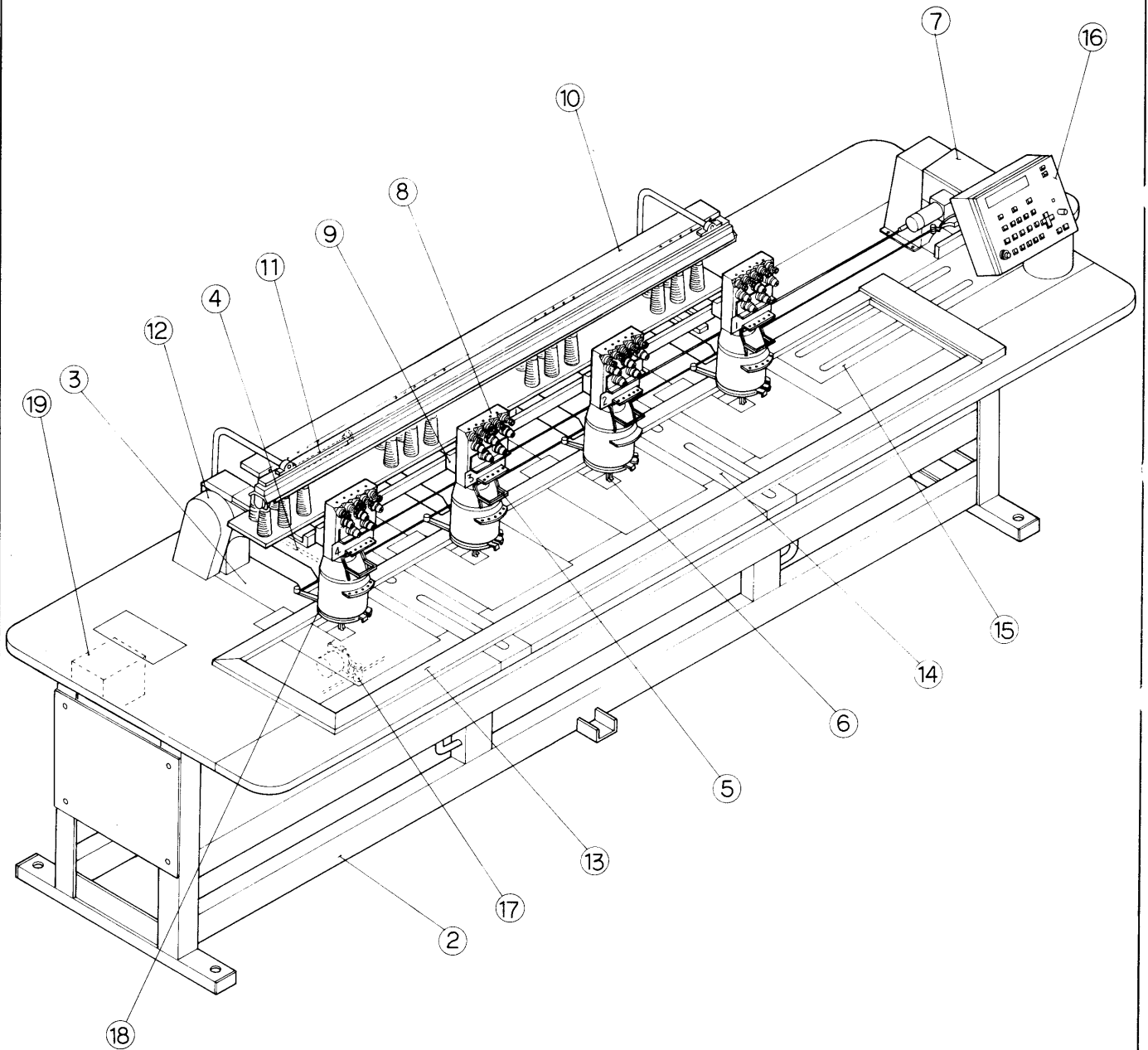
INDEX

① Machine layout (B E A T - 7 0 4)

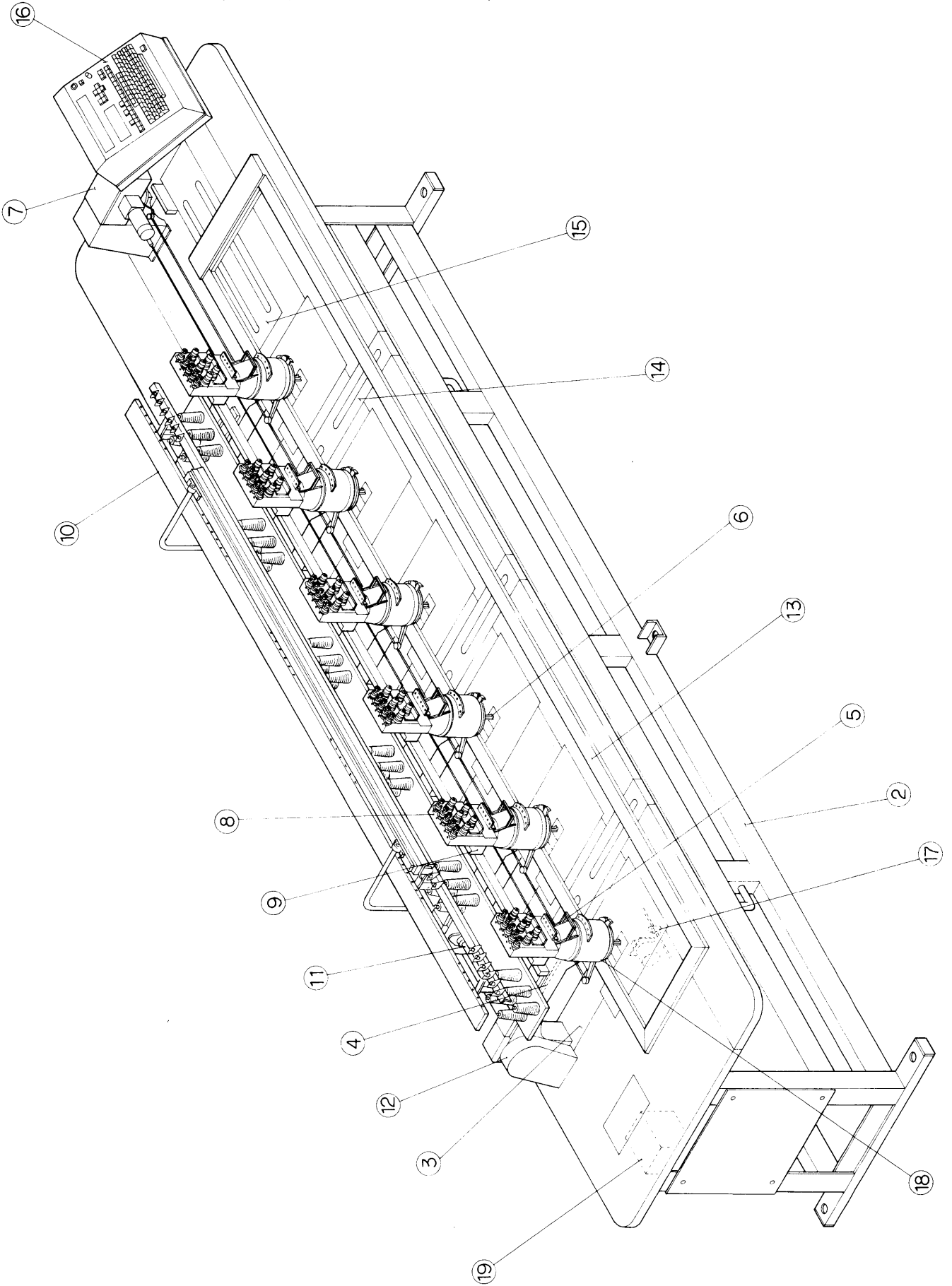


From the library of: Diamond Needle Corp

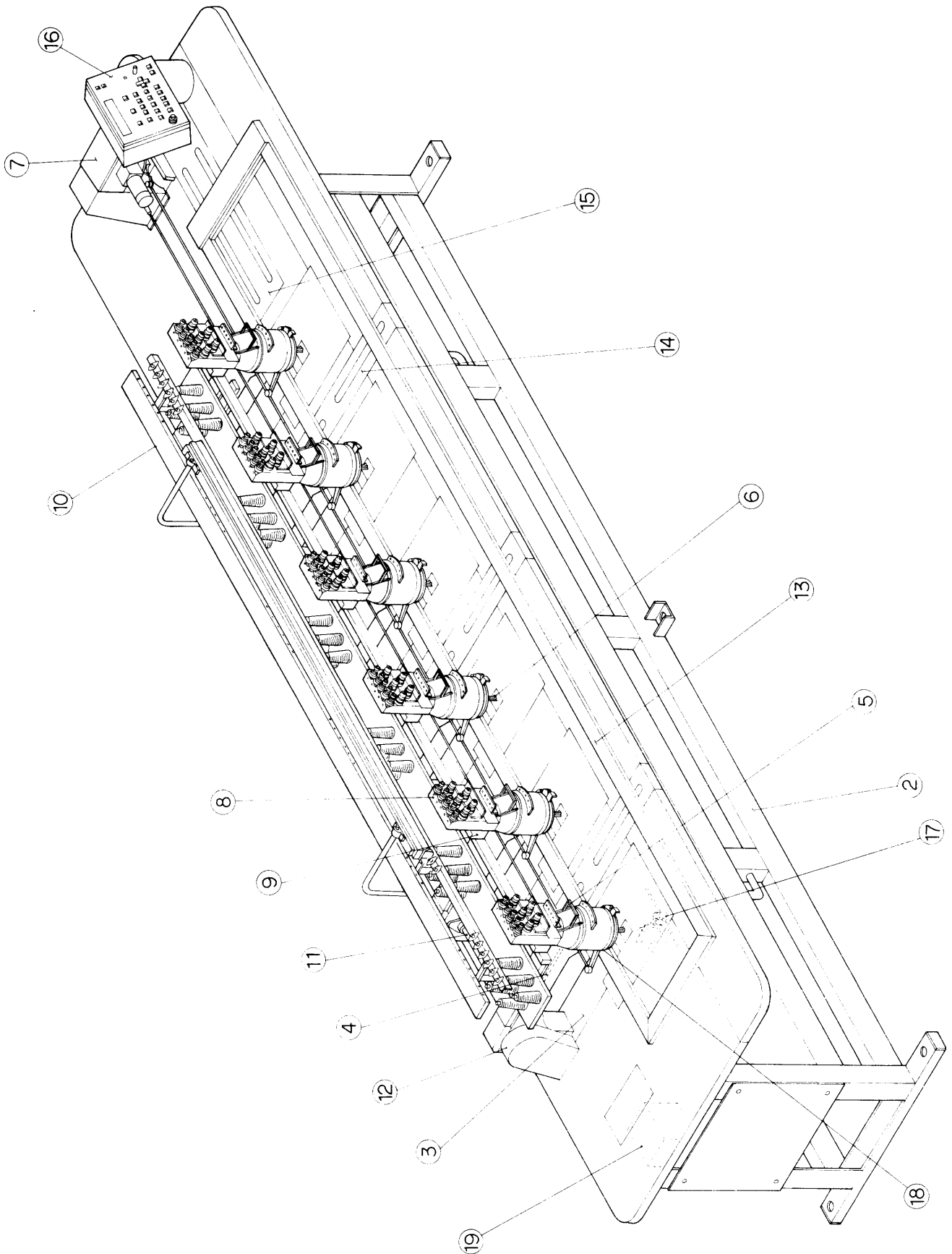
① Machine layout (BEAT-M704)



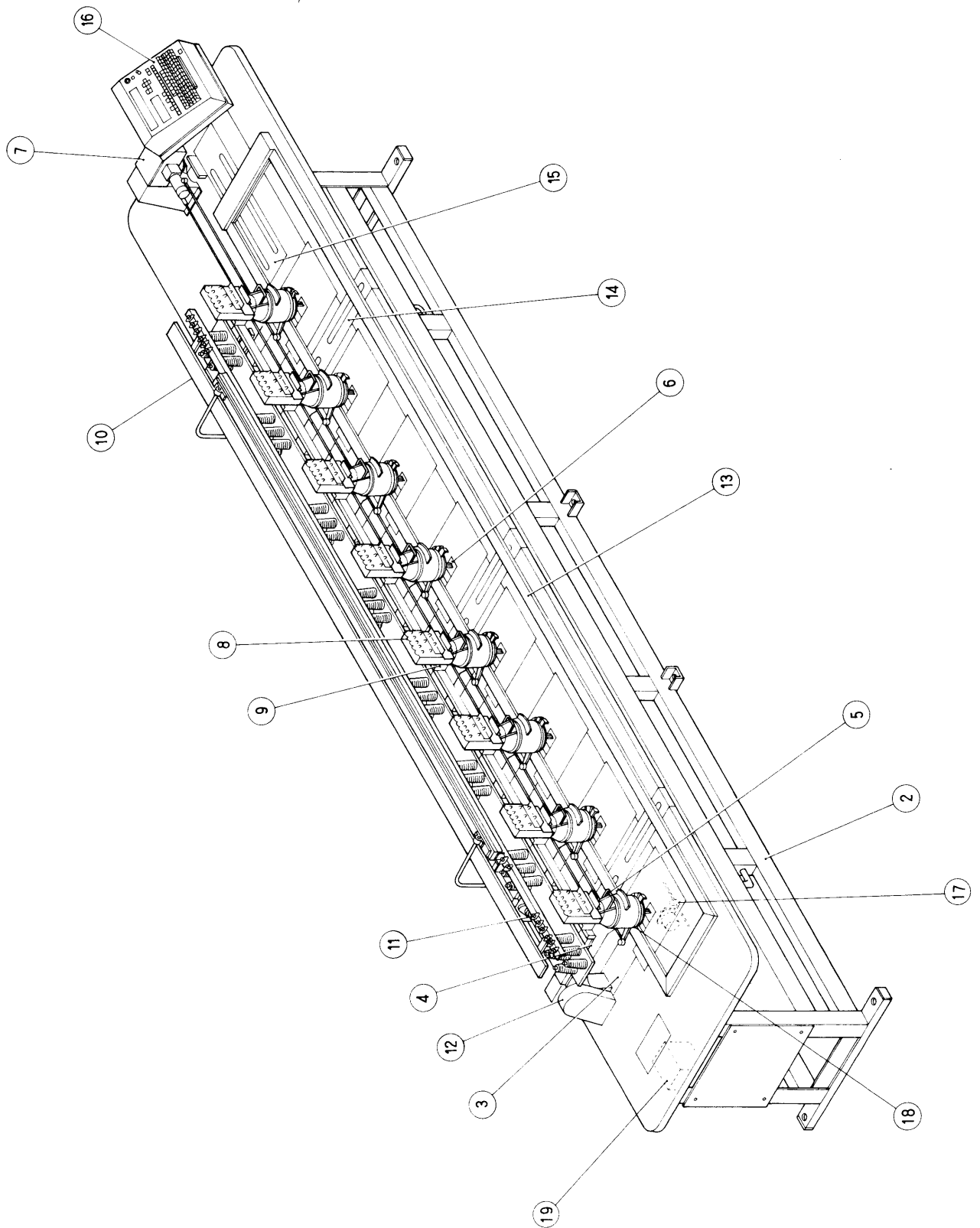
① Machine layout (B E A T - 7 0 6)



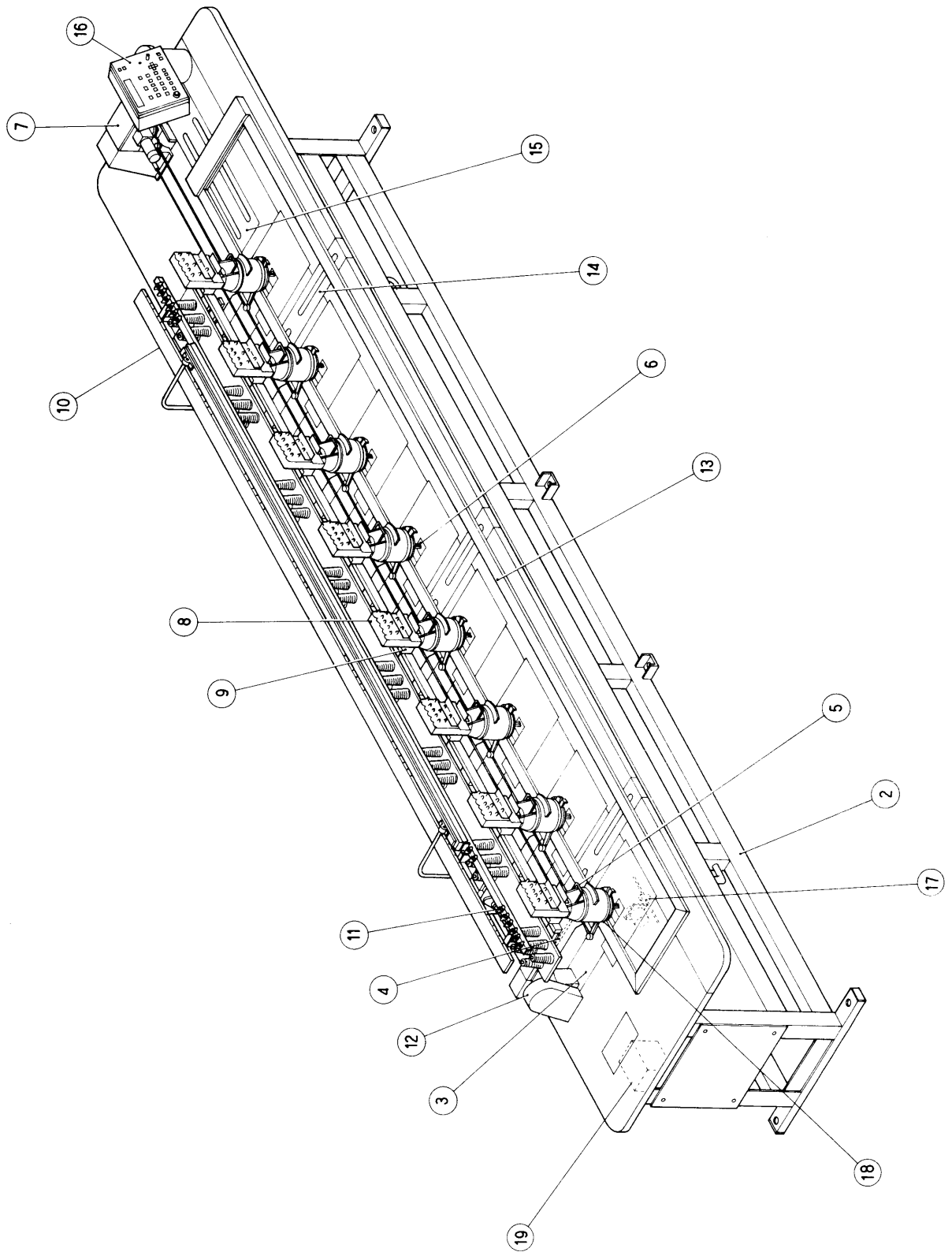
① Machine layout (B E A T - M 7 0 6)



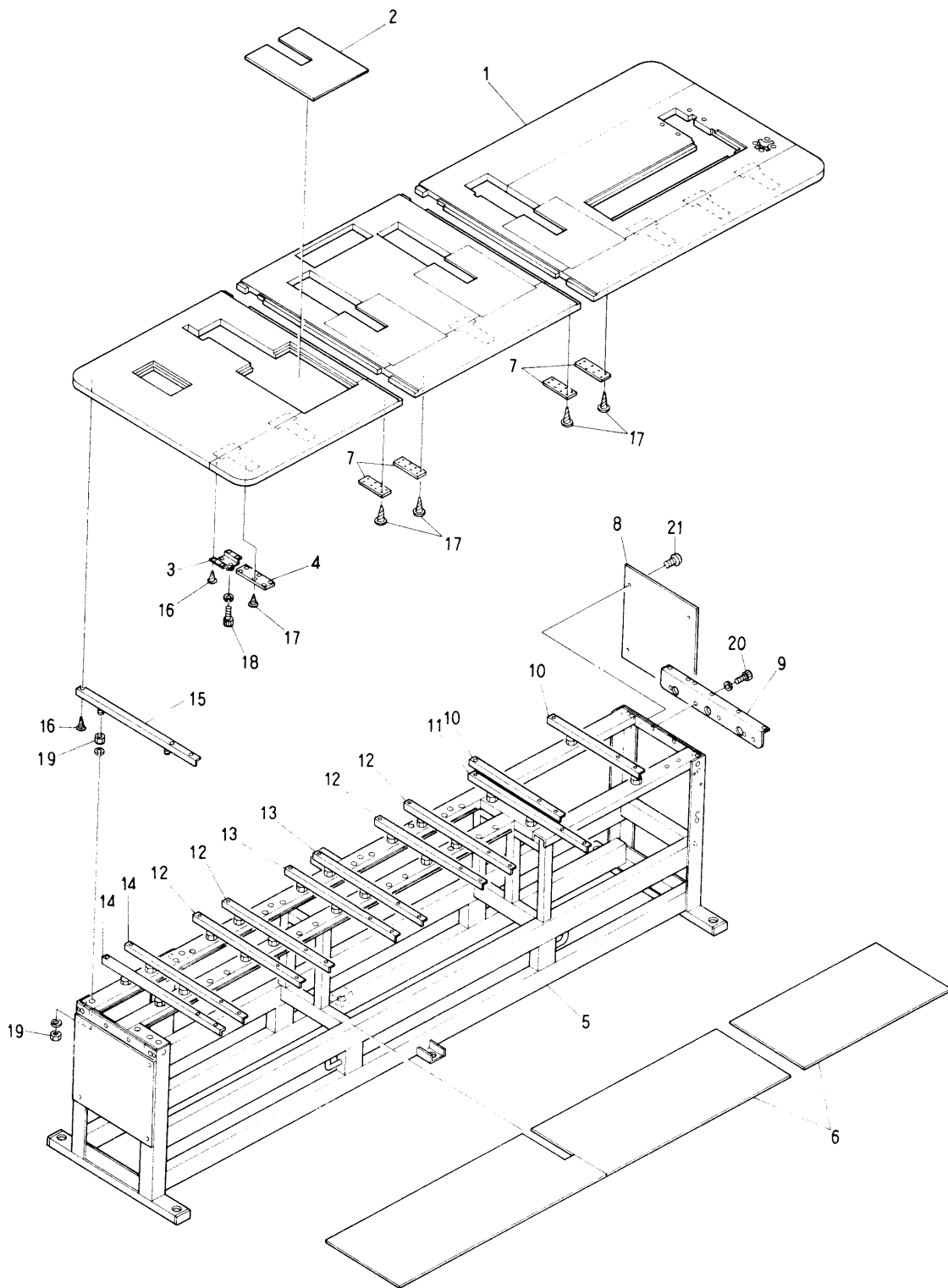
① Machine layout (B E A T - 7 0 8)



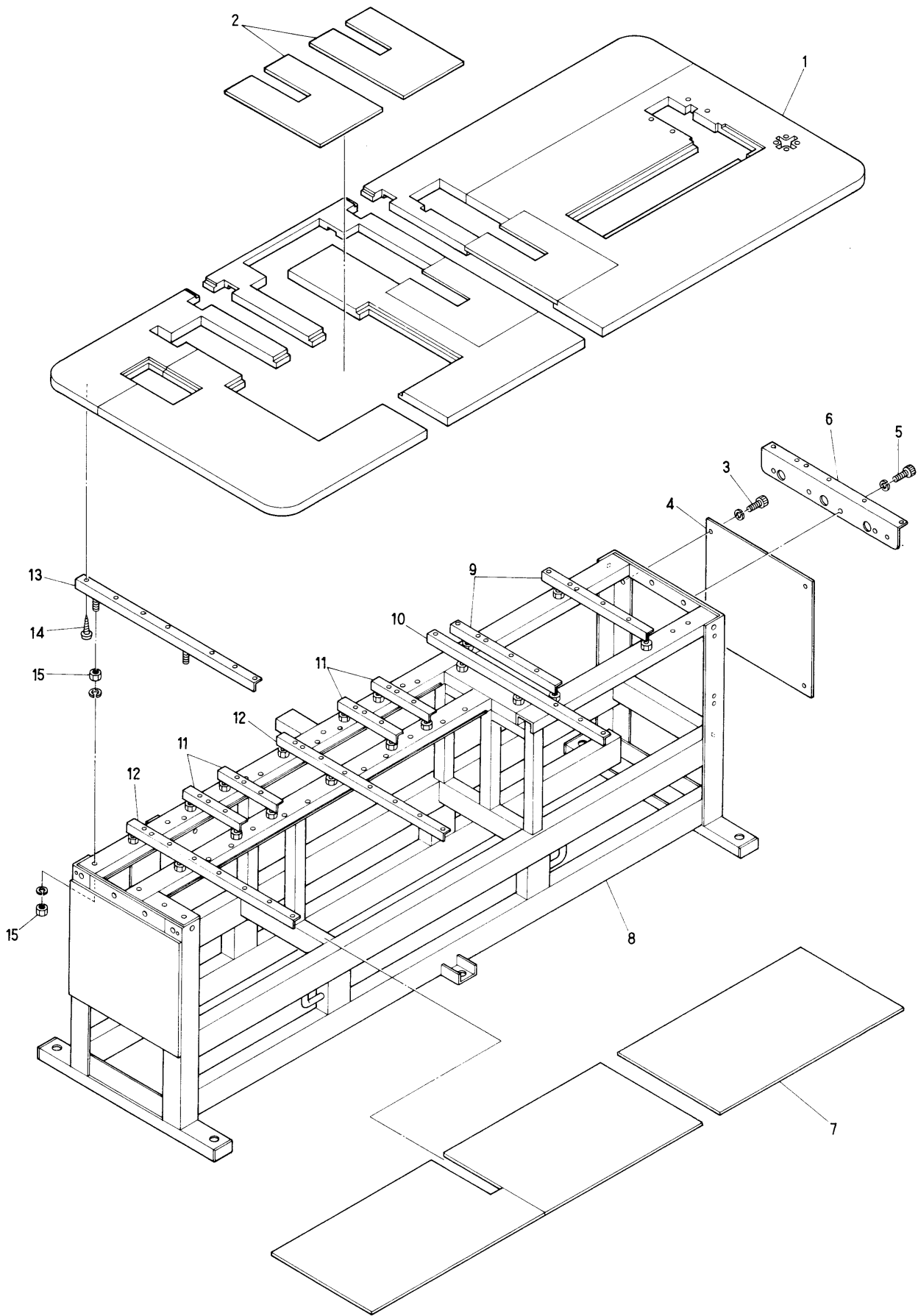
① Machine layout (B E A T - M 7 0 8)



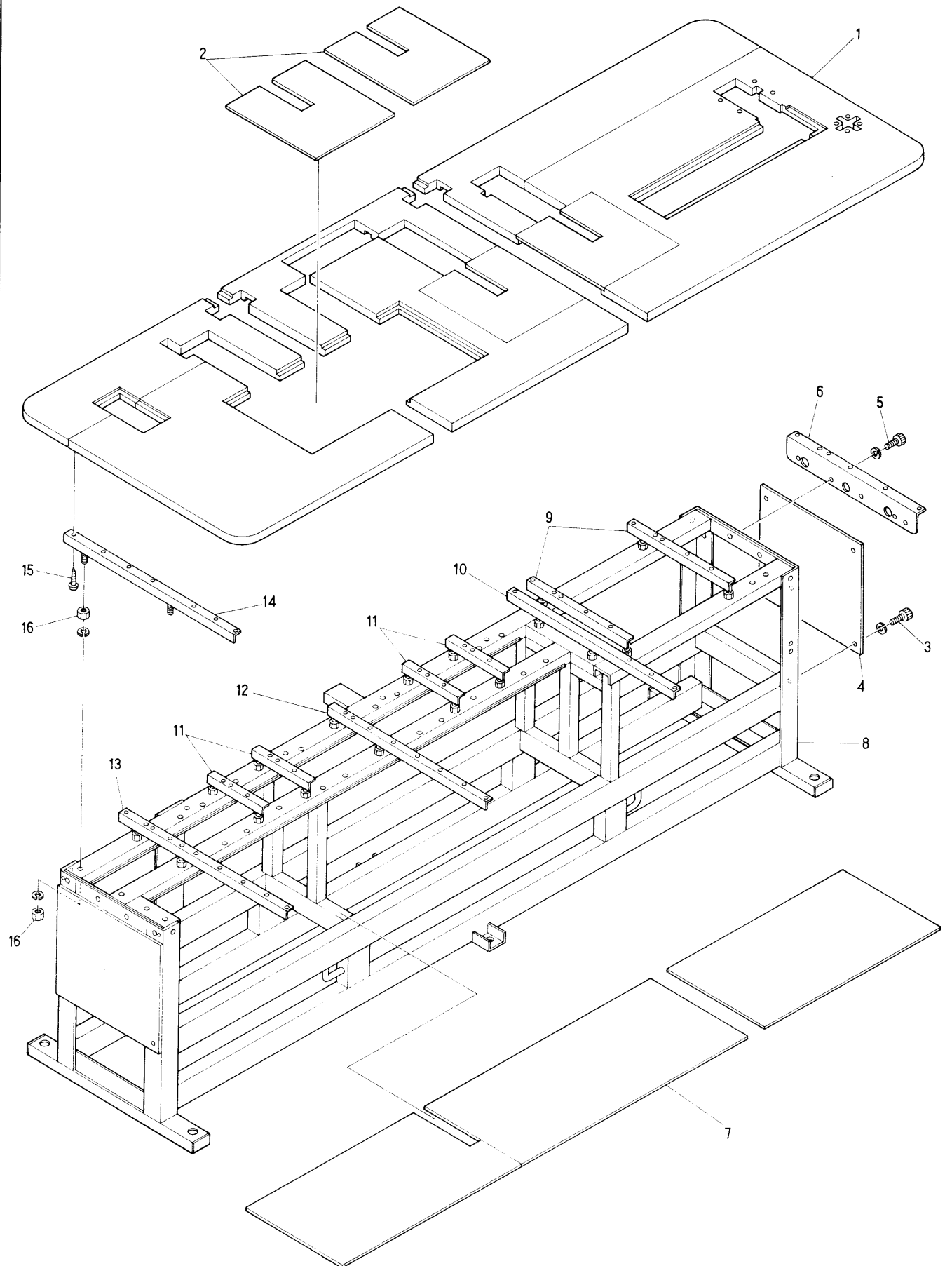
② Table-Frame (BEAT-704) 320×520



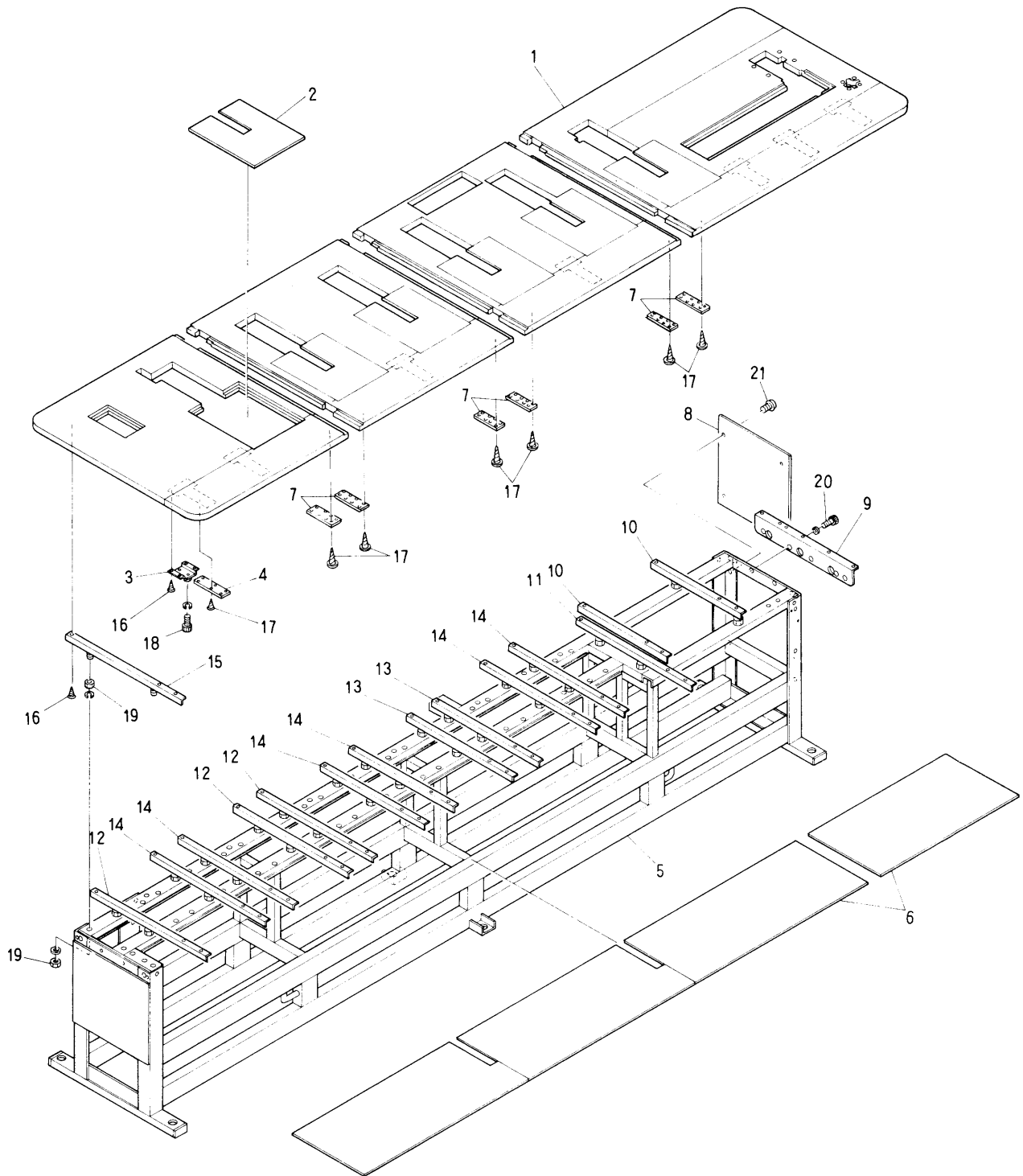
② Table-Frame (BEAT-704) 320×450



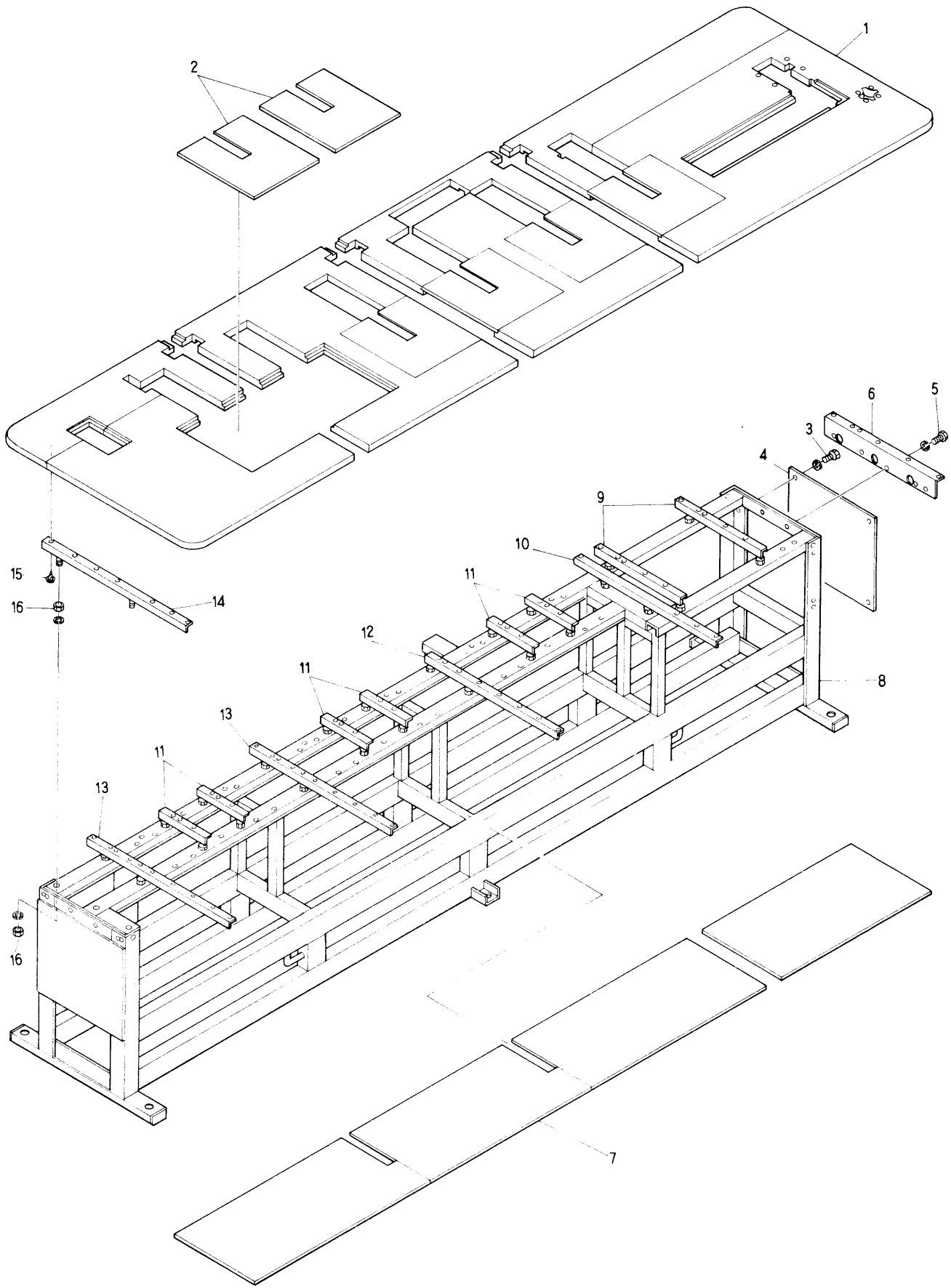
② Table-Frame (BEAT-704) 320×350



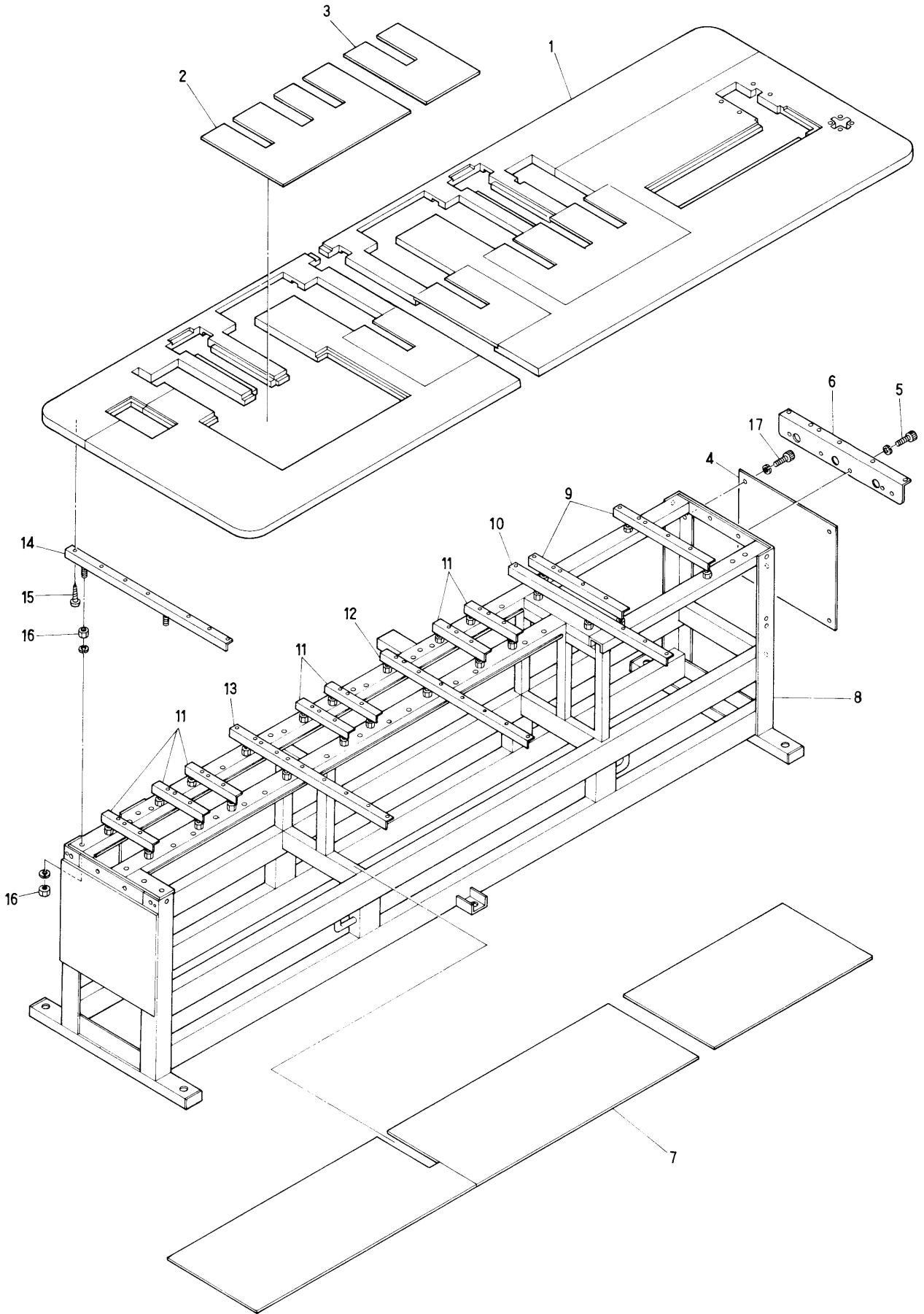
② Table-Frame (BEAT-706) 320×520



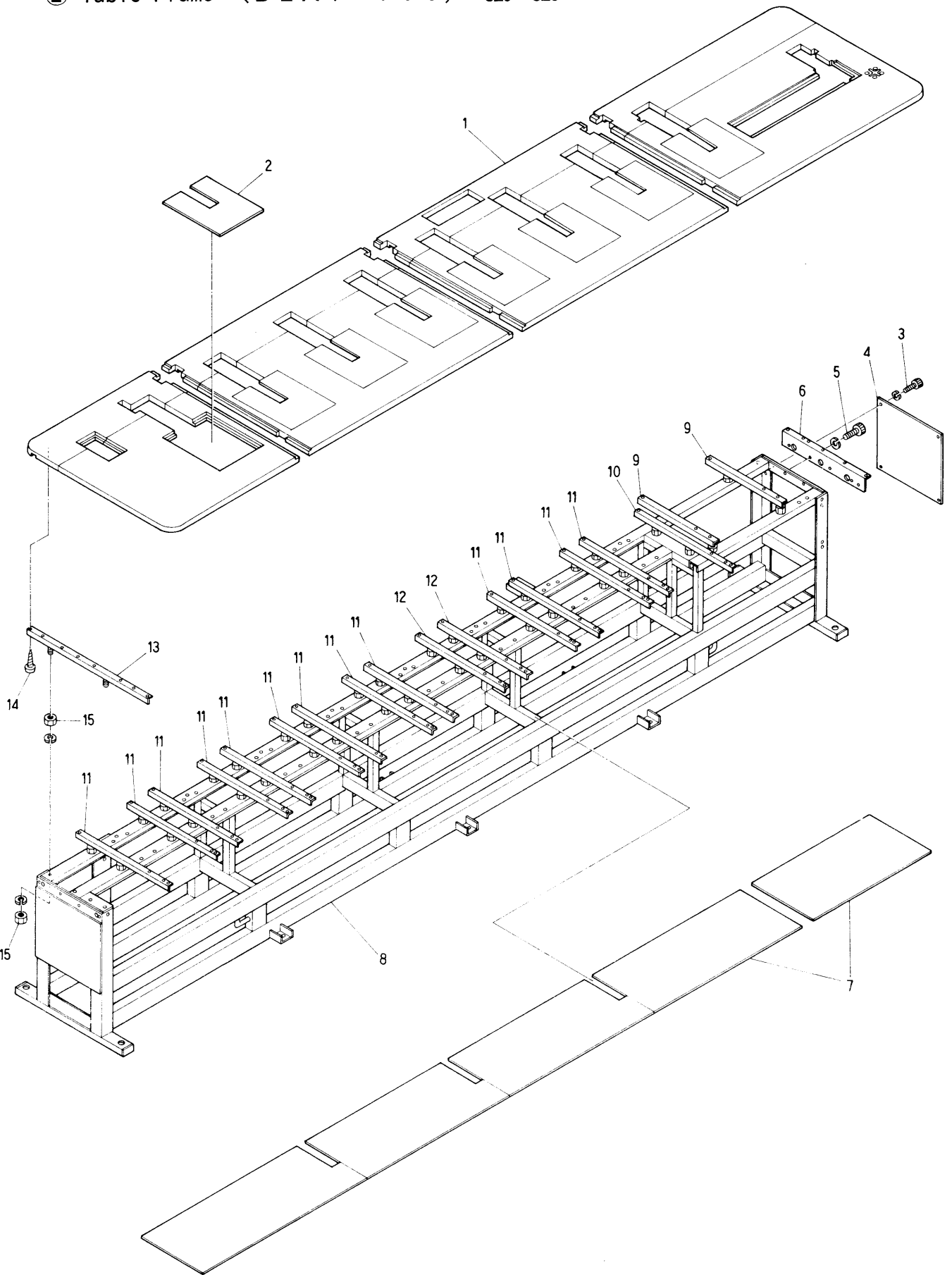
② Table-Frame (BEAT-706) 320×450



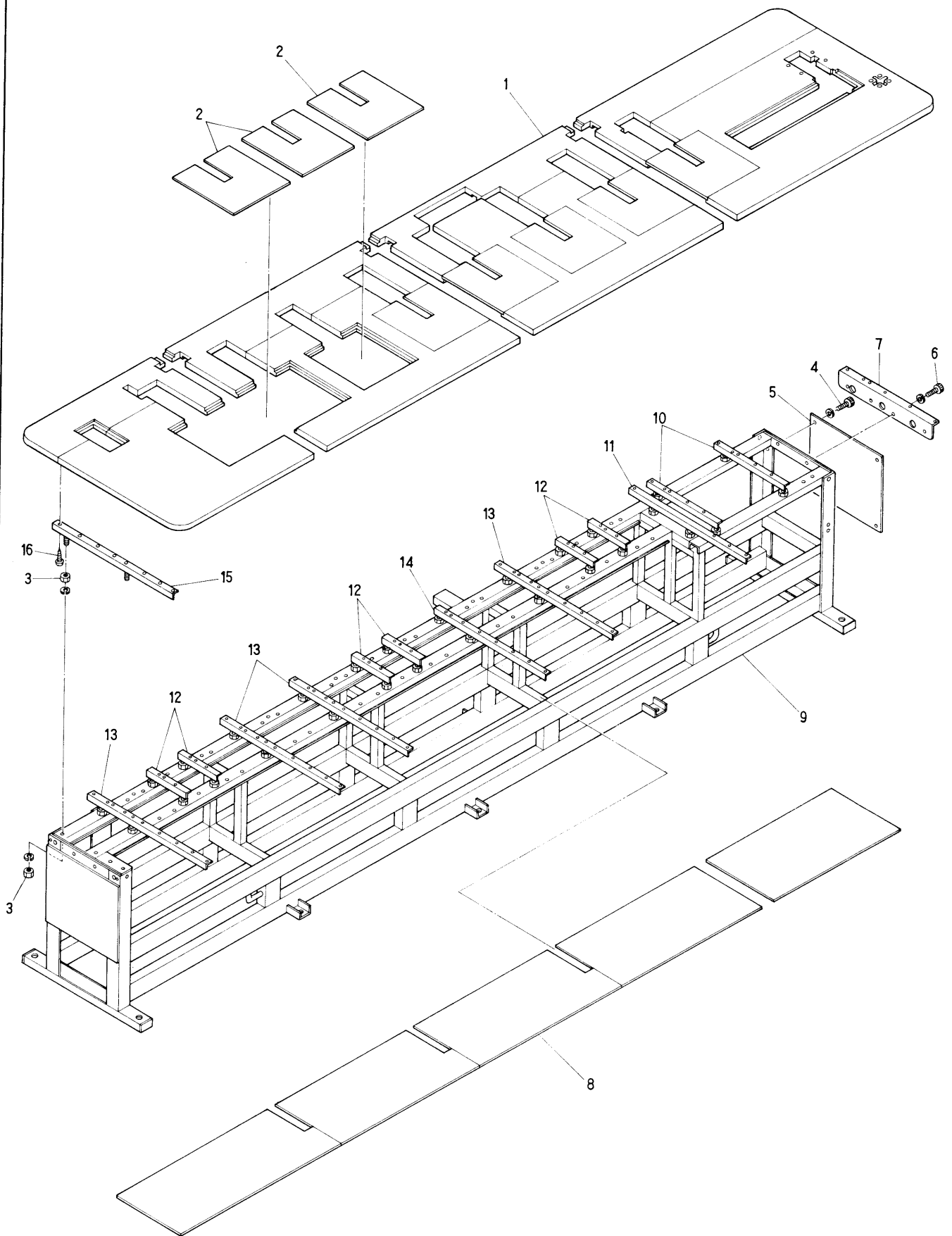
② Table-Frame (BEAT-706) 320×350



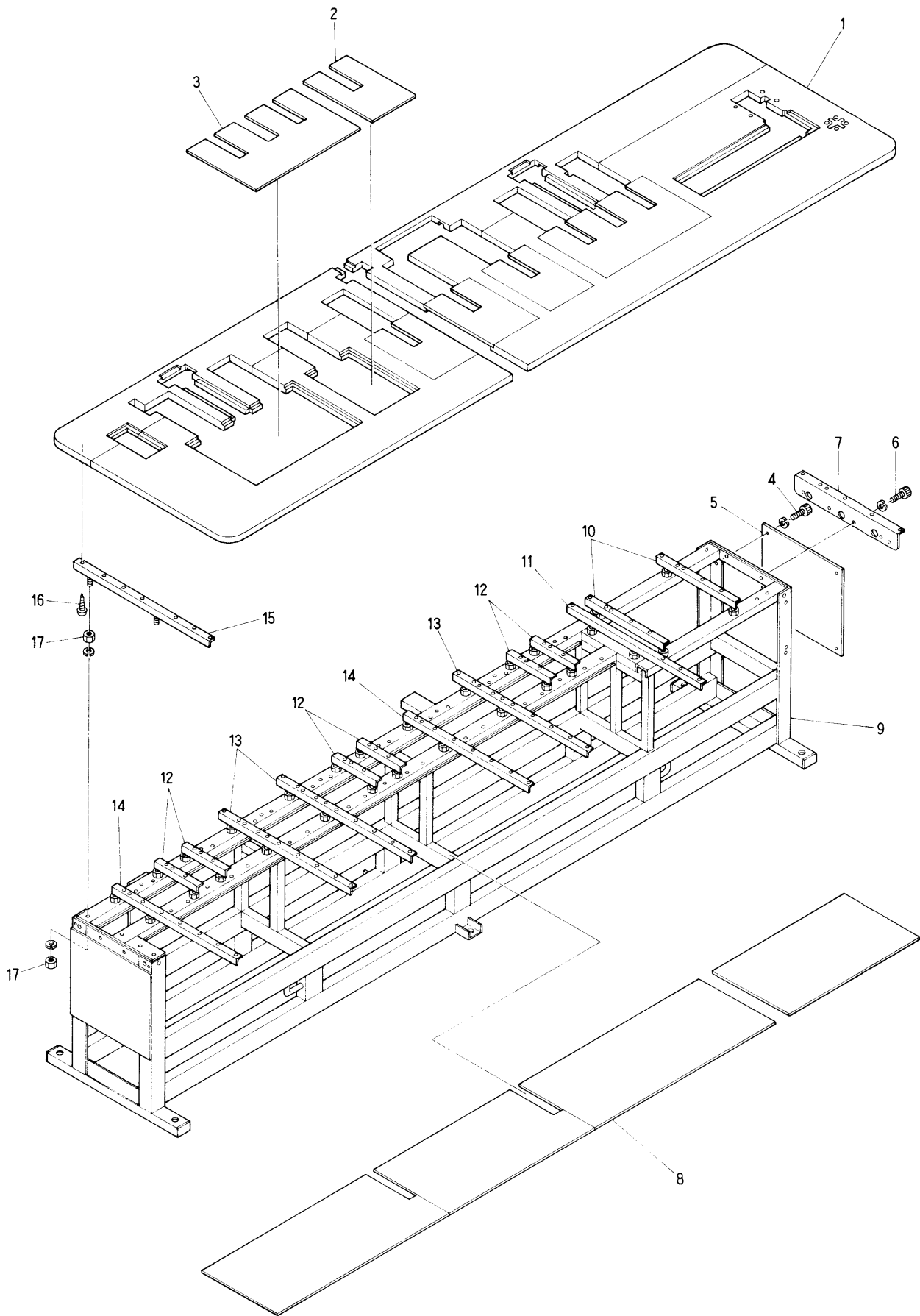
② Table-Frame (BEAT-708) 320×520



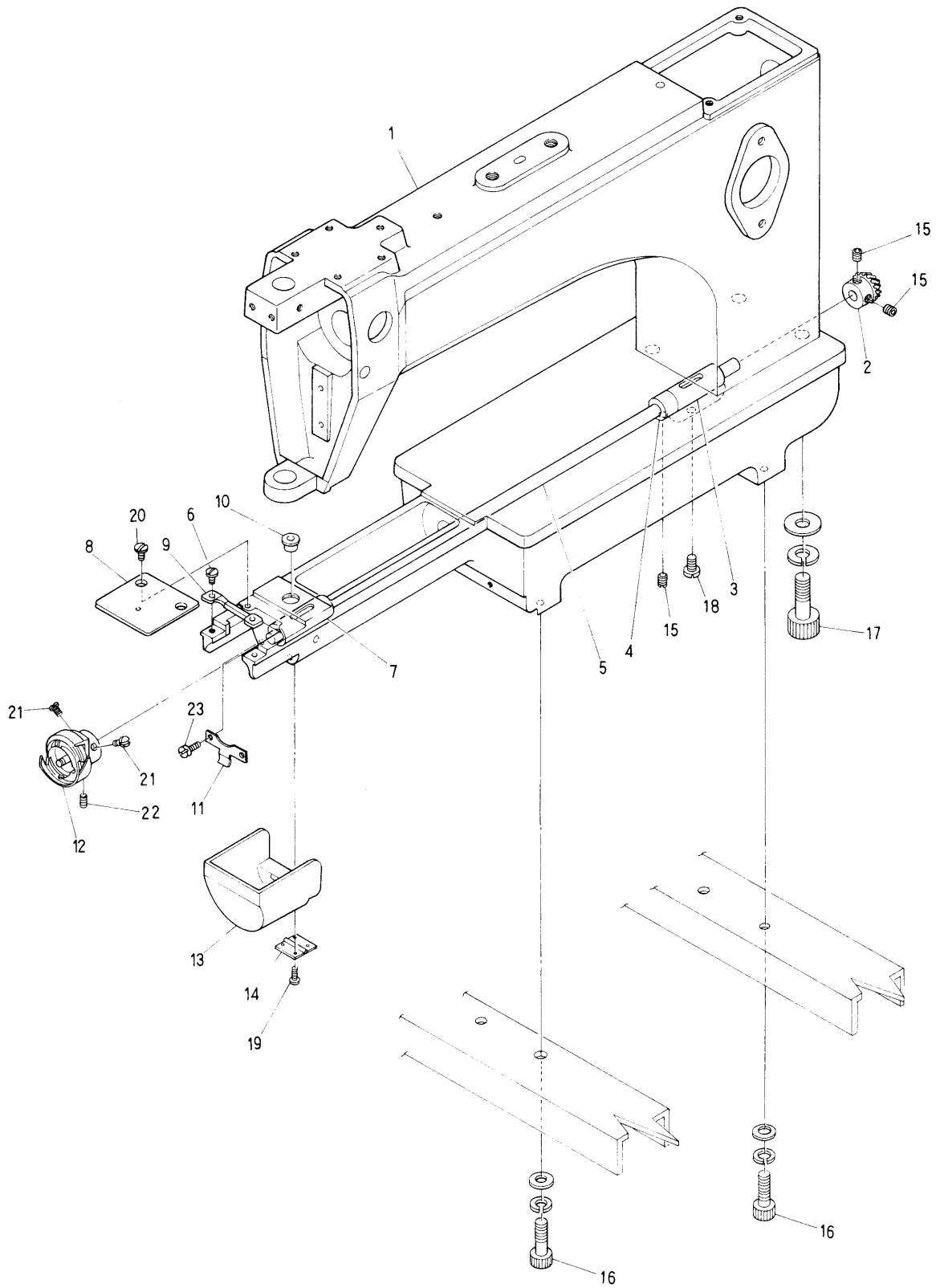
② Table-Frame (BEAT-708) 320×450



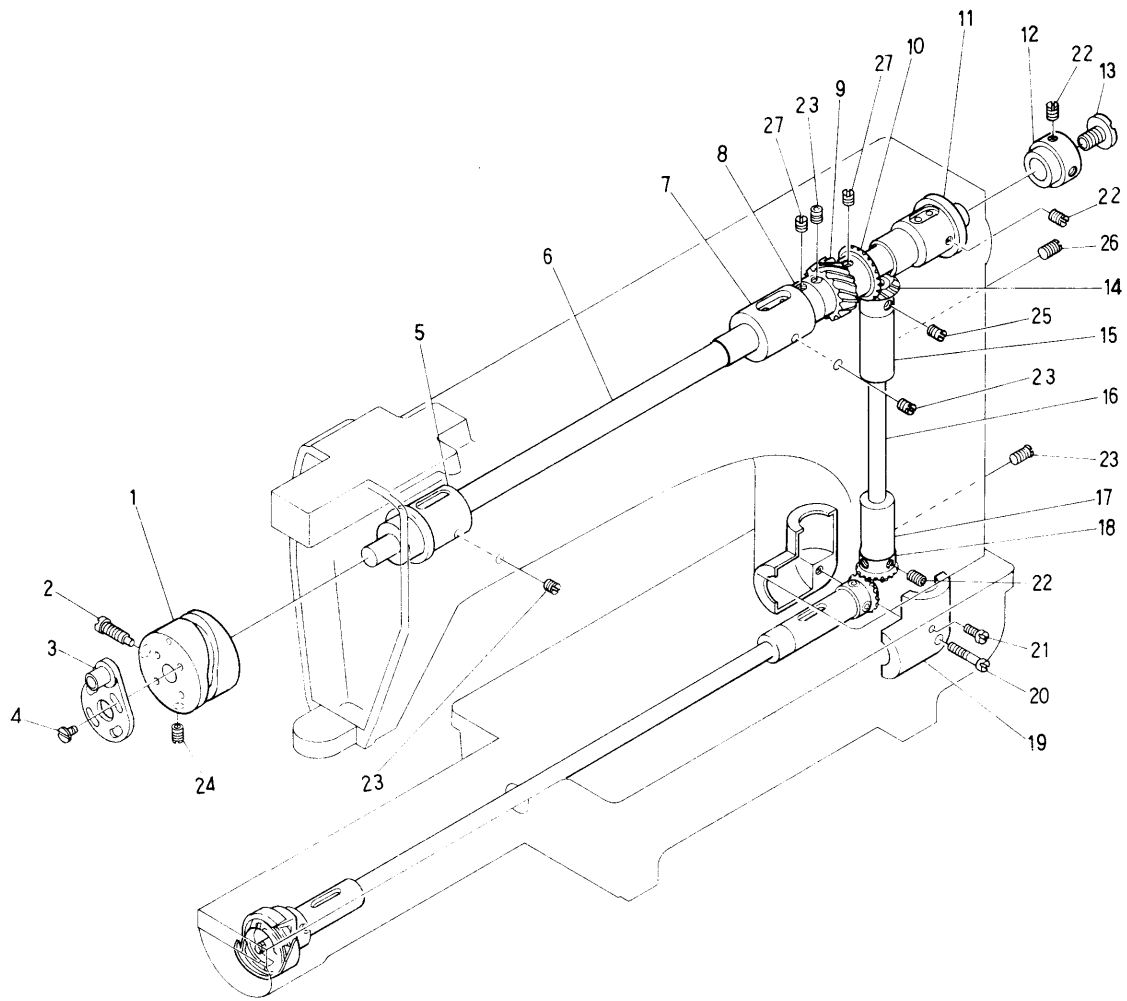
② Table-Frame (BEAT-708) 320×350



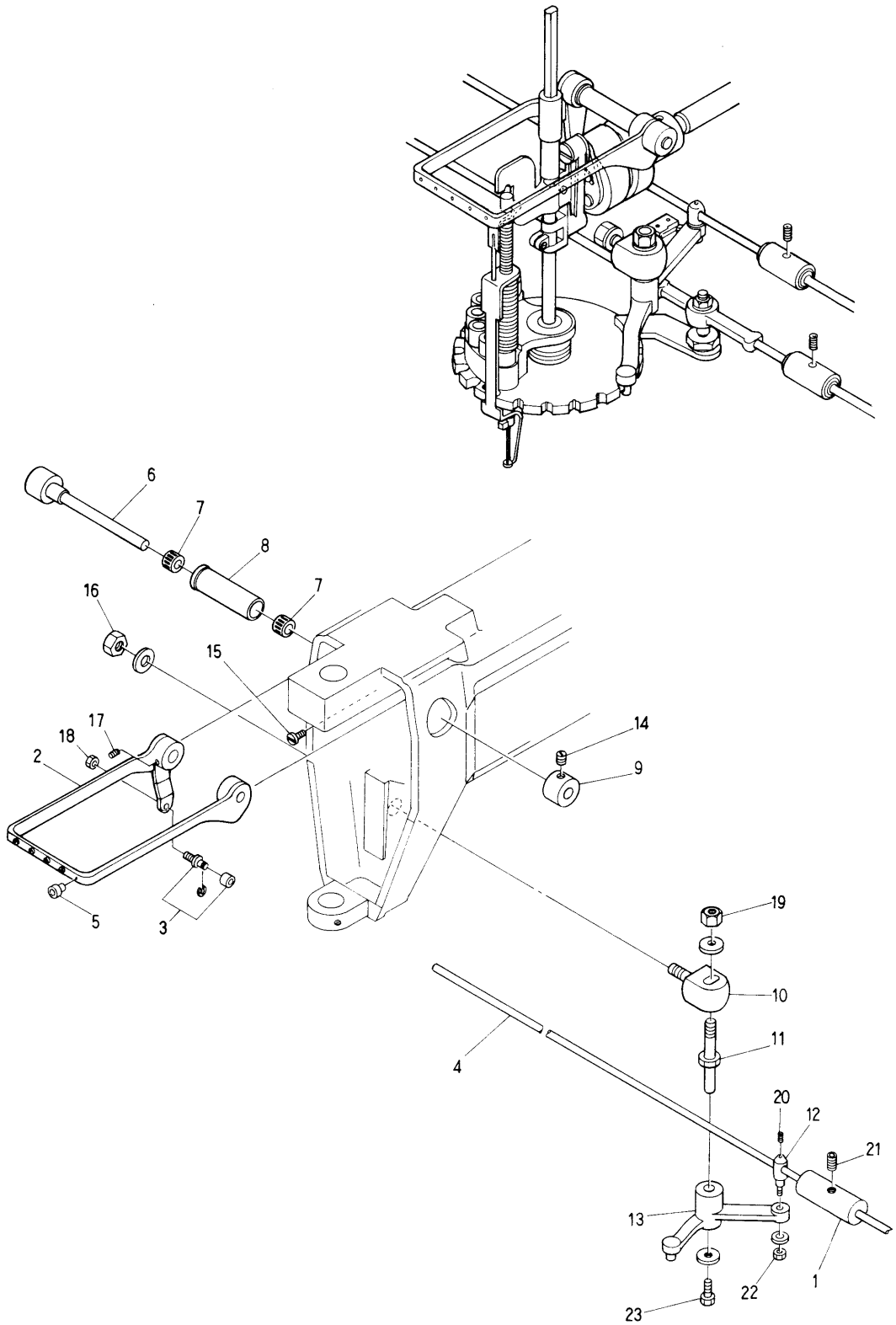
③ Bed Assy



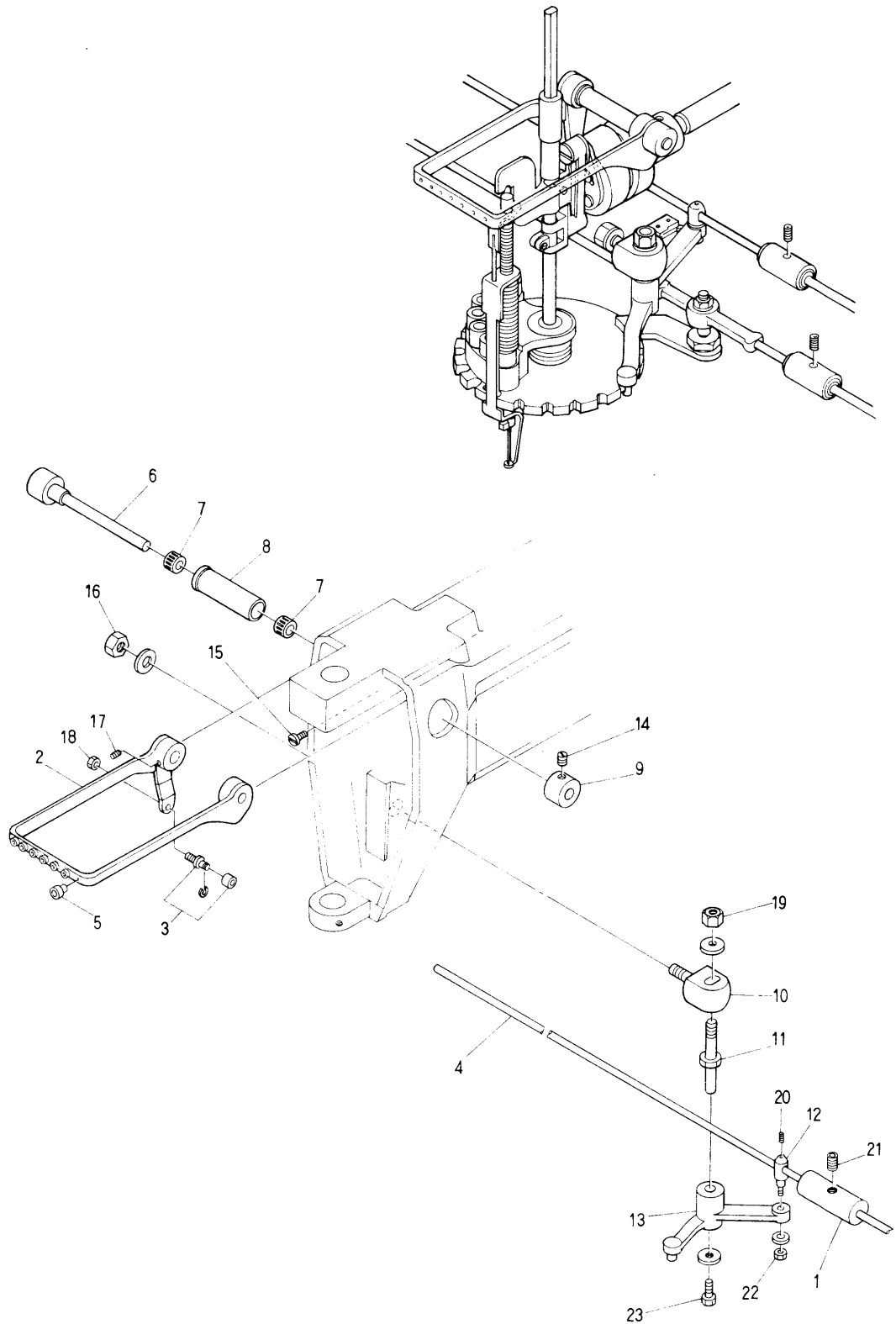
④ Top shaft. Vertical shaft



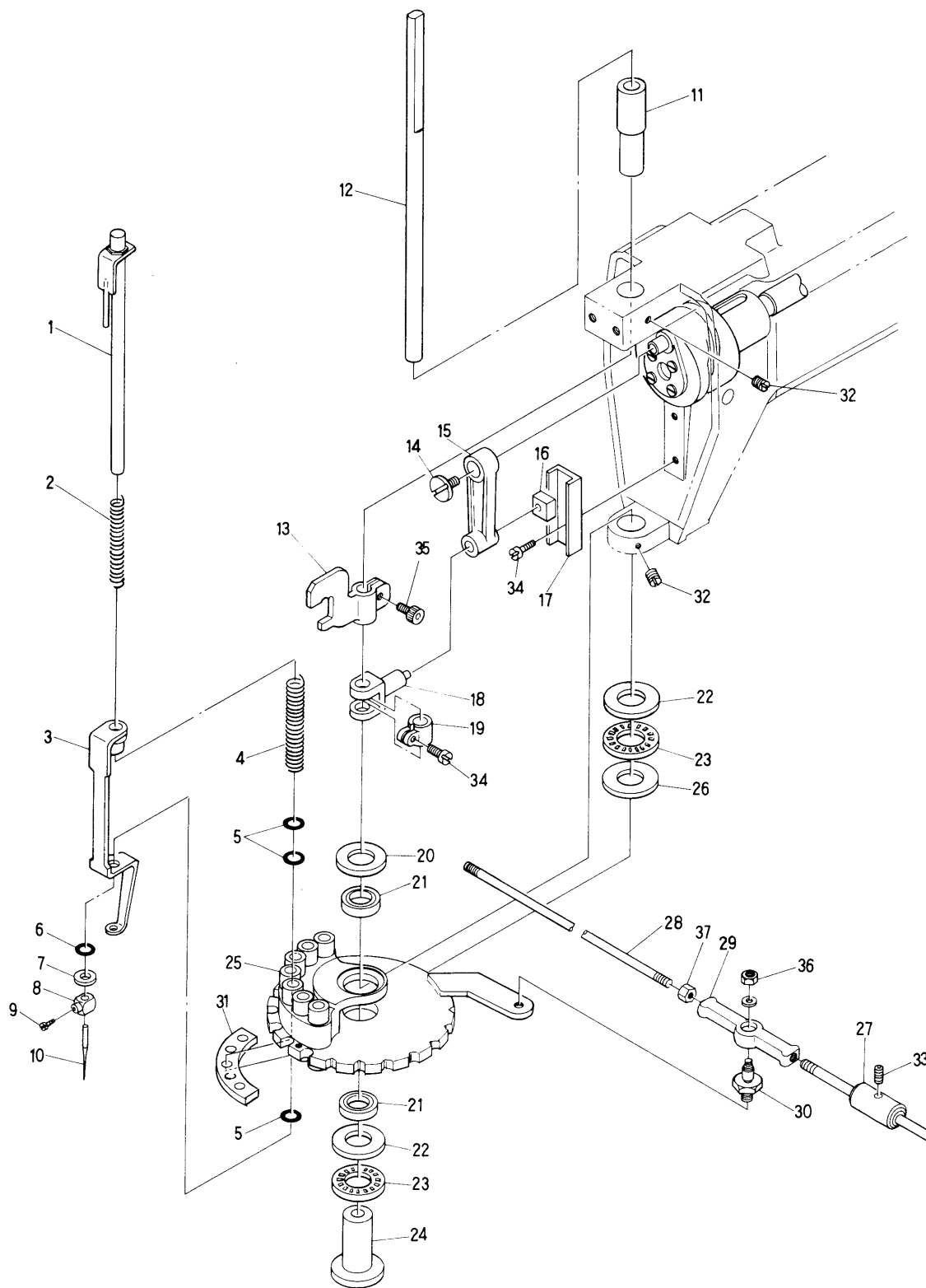
⑤ Needle bar-Take up lever mechanism I (5)



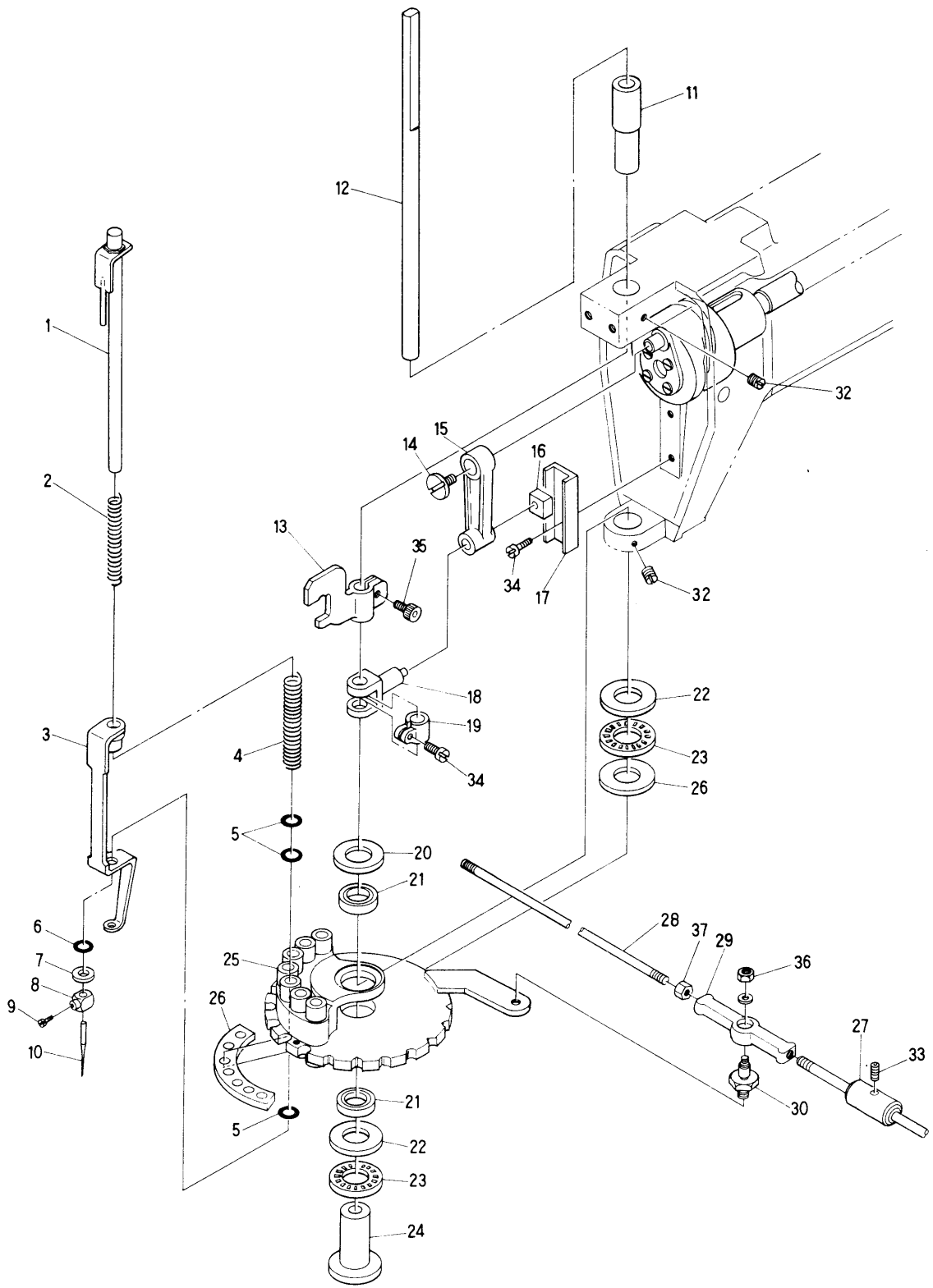
⑤ Needle bar-Take up lever mechanism I (7)



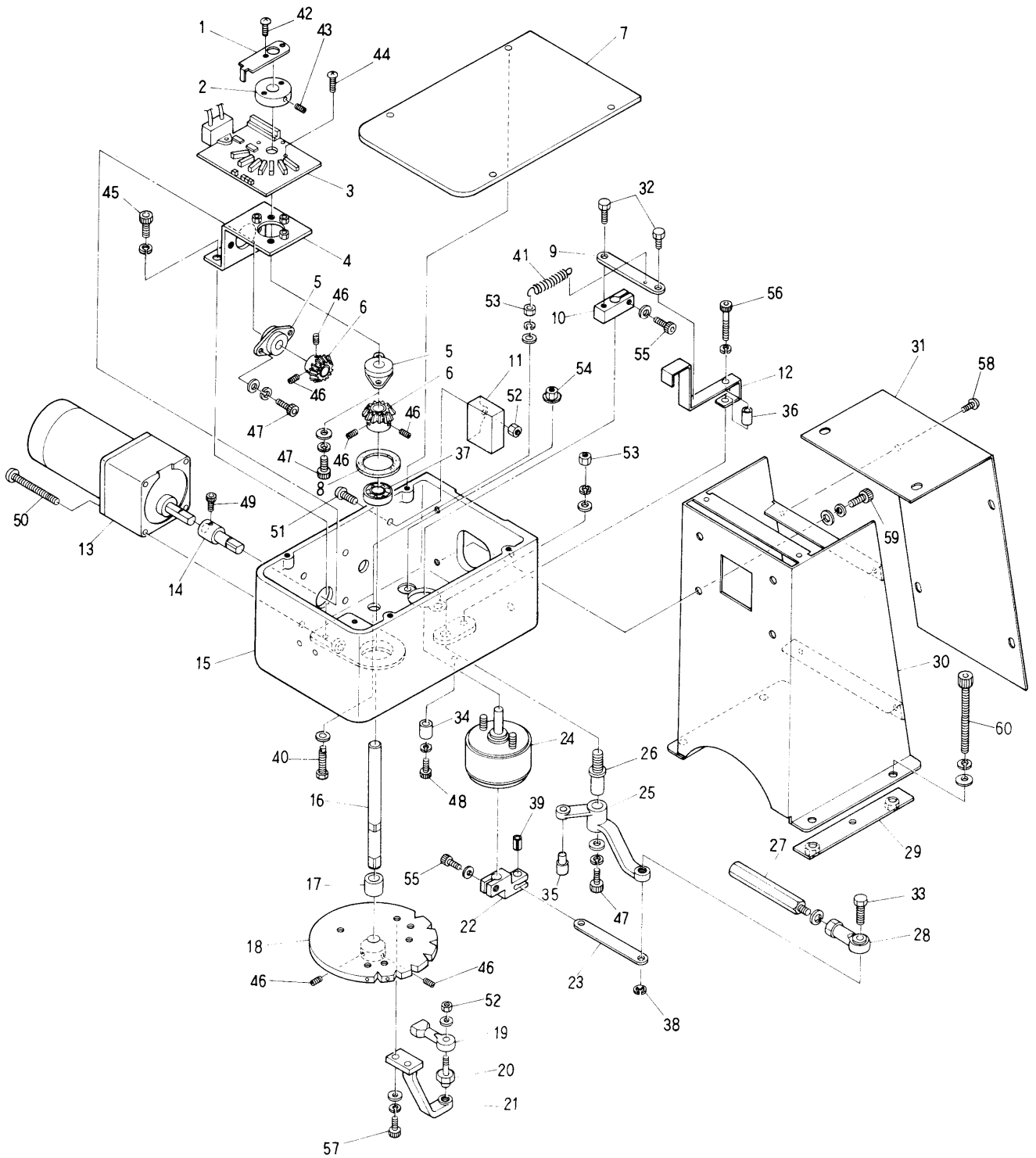
⑥ Needle bar-Take up lever mechanism II (5)



⑥ Needle bar-Take up lever mechanism II (7)



⑦ Color change mechanism

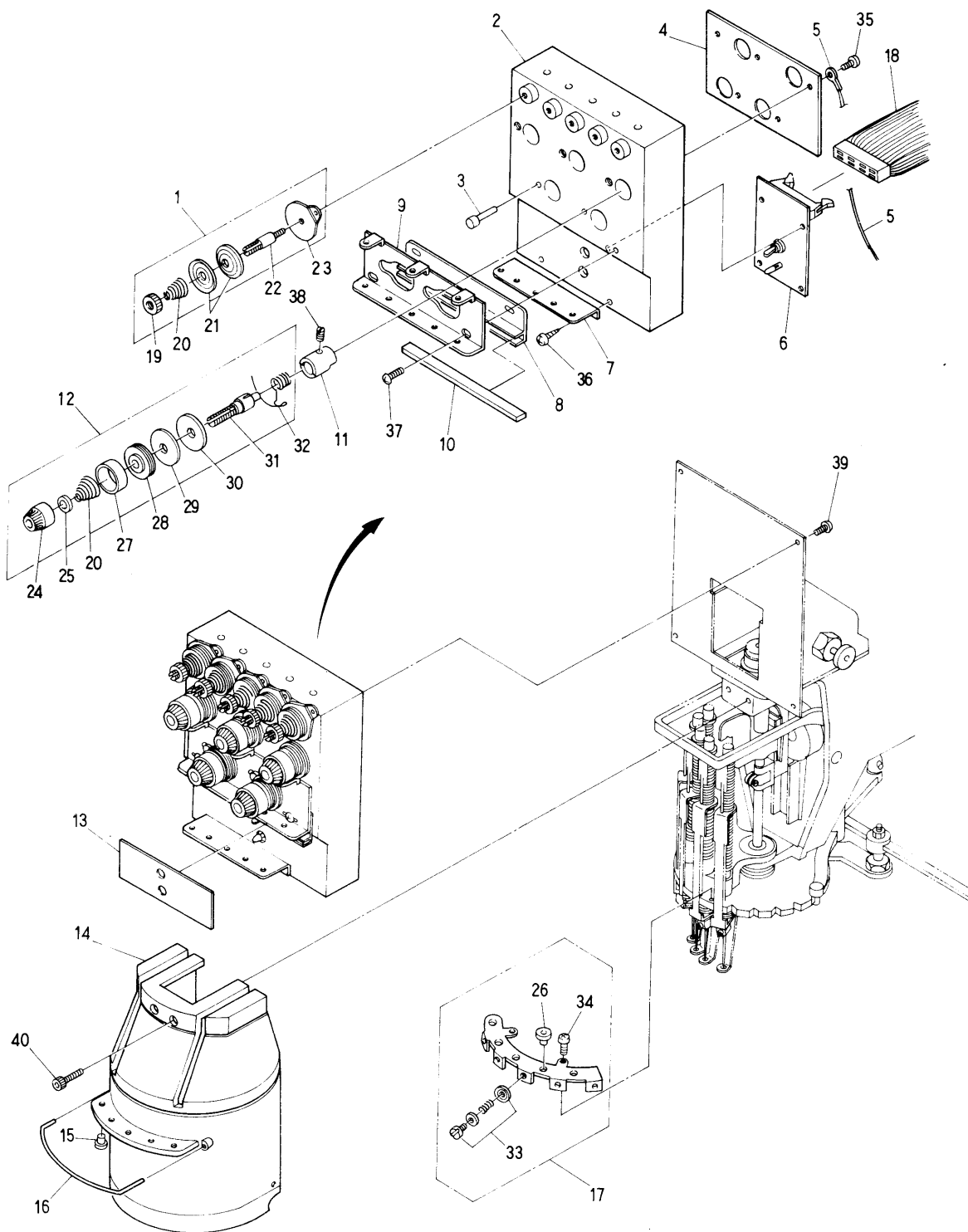


⑦ Color change mechanism

ITEM	PART No.	LIST No.	DESCRIPTION	Q'TY	REMARK
1	3328H01	HH 3 3 0 2 8 1	Detection plate	1	
2	3317C	KC 3 3 0 1 7 0	Plate collar	1	
3	55T0100	EBN 0 0 6 6 0	SDU color change board (7020-4100)	1	
4	33J1U00	KU 3 3 1 9 1 0	Turret drive base	1	
5	91149	A 9 0 1 1 0 4 9	FYH, oilless pyro 80 (80FL-10)	2	
6	3362H	HH 3 3 0 6 2 0	IM25T straight miter bevel	2	
7	33H4U00	KU 3 3 1 7 4 0	Lock detection plate (Drive plate)	1	
8	912F0	A 9 0 1 2 1 5 0	Trust washer (TW1530)	1	
9	33J4P00	HP 3 3 1 9 4 0	Lock detactive plate (Drive plate)	1	
1 0	33J6P00	HP 3 3 1 6 9 0	Lock detactive plate (Drive lever)	1	
1 1			Condenser (3381H accessory)	1	
1 2	33J3U00	KU 3 3 1 9 3 0	Lock detactive plate	1	
1 3	3381H	HH 3 3 0 8 1 0	Geard motor RM-F6A5PC3-AS-180	1	
1 4	33F7P00	HP 3 3 1 5 7 0	Geard motor shaft	1	
1 5	33J0U00	KU 3 3 1 9 0 0	Turret control box	1	
1 6	33F8P00	HP 3 3 1 5 8 0	Needle turning shaft	1	
1 7	33F9P00	HP 3 3 1 5 9 0	Turn table adjusting collar	1	
1 8	3315G	KG 3 3 0 1 5 0	US Control turning plate	1	
1 9	91201	A 9 0 1 2 0 0 1	NMB RD4 020R	1	
2 0	33G6P00	HP 3 3 1 6 6 0	Turret plate joint pin	1	
2 1	33F2P00	HP 3 3 1 5 2 0	Turret turn table lever	1	
2 2	33F5P00	HP 3 3 1 5 5 0	Lock solenoid lever	1	
2 3	33J4P00	HP 3 3 1 9 4 0	Lock detection plate (Drive plate)	1	
2 4	95611	A 9 0 5 6 0 1 1	Rotary solenoid 6SR25-27X3.4.9	1	
2 5	33F3P01	HP 3 3 1 5 3 1	Turret lock lever	1	
2 6	2363F	KF 2 3 0 6 3 0	Lock lever shaft	1	
2 7	3351C	KC 3 3 0 5 1 0	Hex. connecting bar (L)	1	
2 8	91202	A 9 0 1 2 0 0 2	NMB PR-6	1	
2 9	33H3U00	KU 3 3 1 7 3 0	Turret box stay fixing plate	2	
3 0	33H1U00	KU 3 3 1 7 1 0	Turret box fixing stay	1	
3 1	33H2U00	KU 3 3 1 7 2 0	Turret box fixing stay cover	1	
3 2	740F3Q0	HQ 7 4 1 F 3 0	Bell crank bolt	2	
3 3	33F6P00	HP 3 3 1 5 6 0	Lock lever pin	1	
3 4	3367H	HH 3 3 0 6 7 0	Stopper eccentric	1	
3 5	2362F	KF 2 3 0 6 2 0	Lock lever roller	1	
3 6	33J5P00	HP 3 3 1 9 5 0	Lock detection plate (Turret shaft)	1	
3 7	91001	A 9 0 1 0 0 0 1	Bearing (6000zz)	1	
3 8	91255	A 9 0 1 2 0 5 5	E-ring $\phi 4$	1	
3 9	912E3	A 9 0 1 2 1 4 3	Spring $\phi 6$ L=12	1	
4 0	33H5U00	KU 3 3 1 7 5 0	Lock sub spring pin	1	
4 1	33H6U00	KU 3 3 1 7 6 0	Lock sub spring	1	
4 2			Screw M3×6		
4 3			Hex. socket set screw M5×8		
4 4			Screw M3×4		
4 5			Hex. socket bolt M6×12		

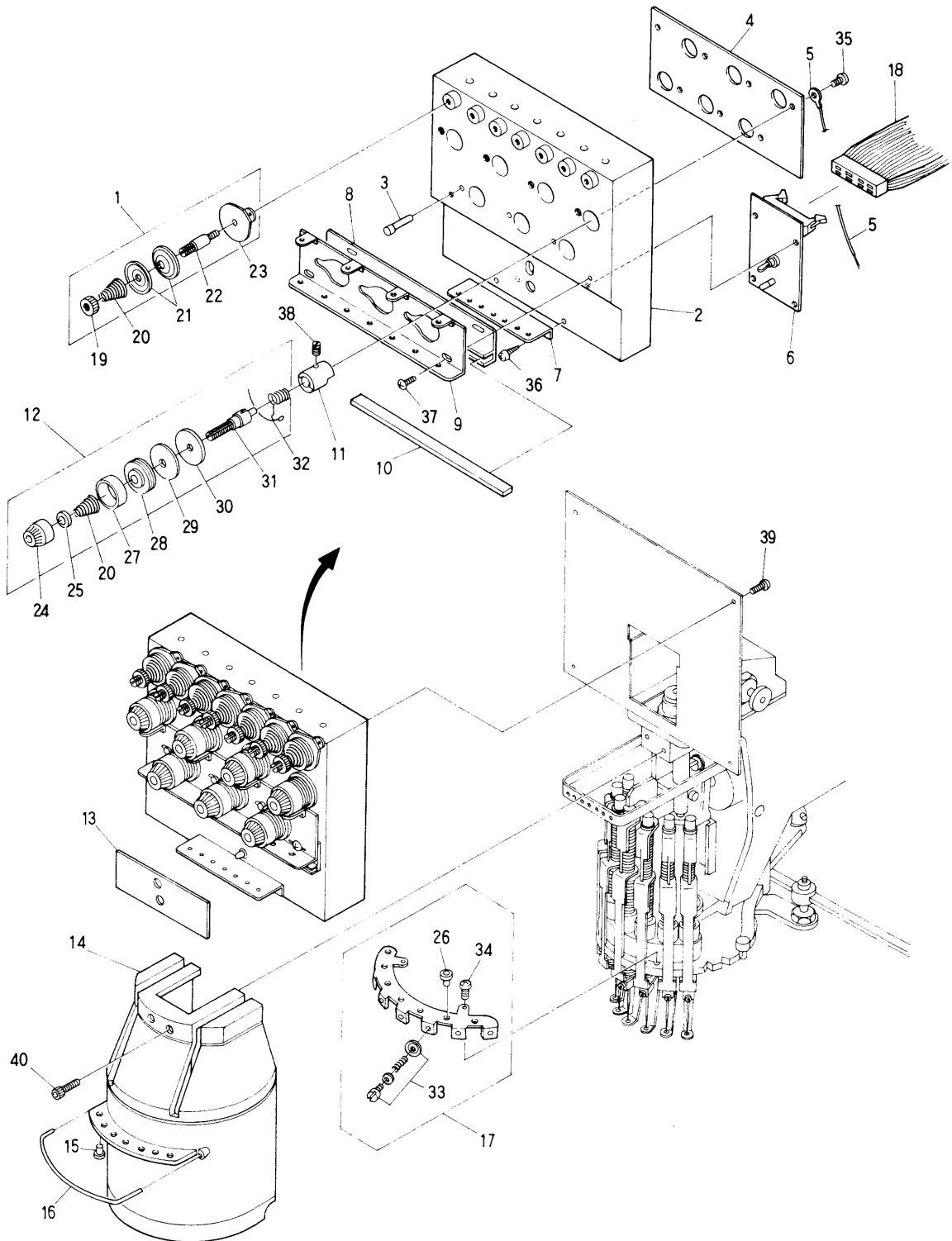
From the library of: Diamond Needle Corp

⑧ Thread guide mechanism (5)

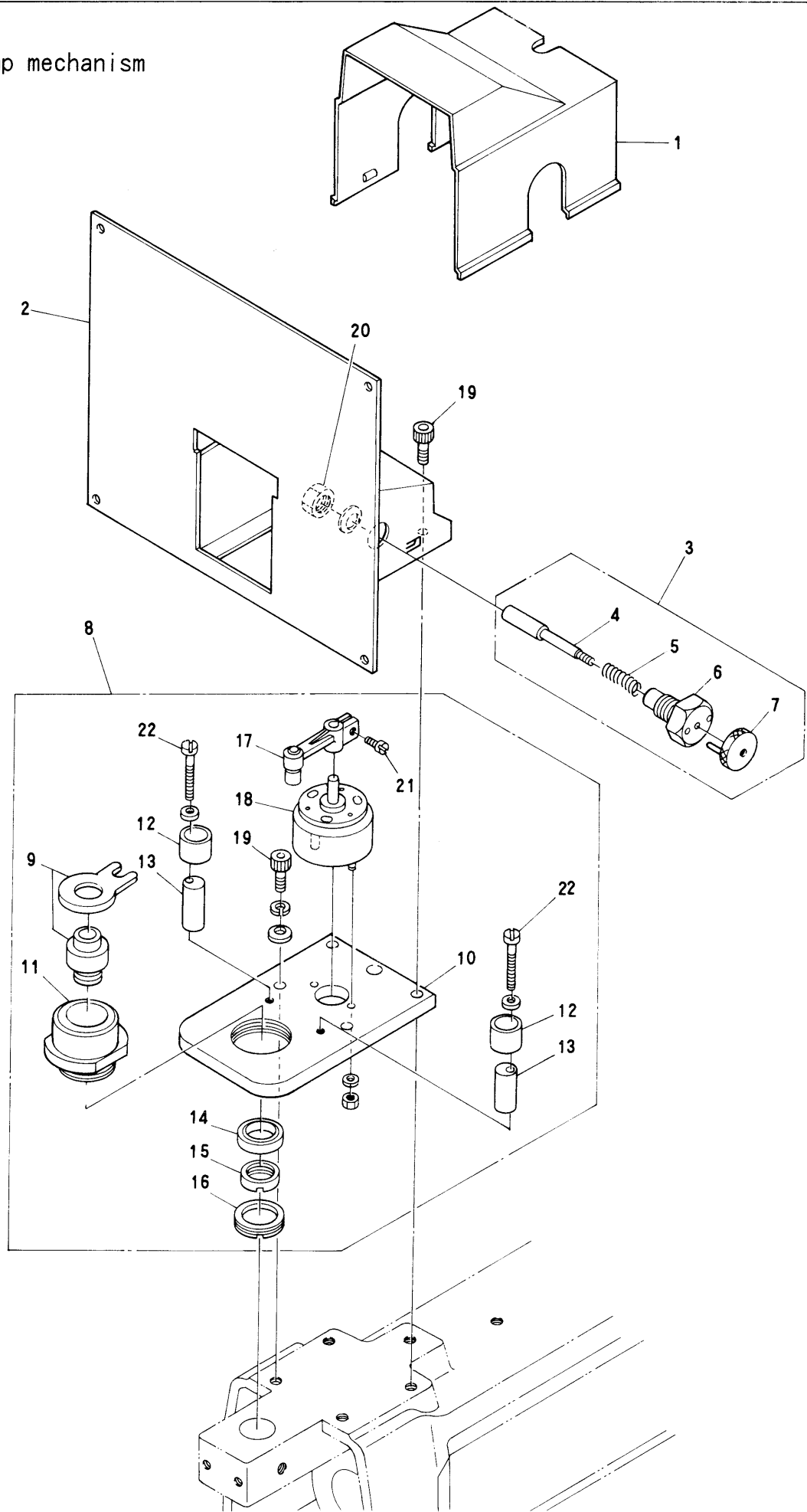


From the library of: Diamond Needle Corp

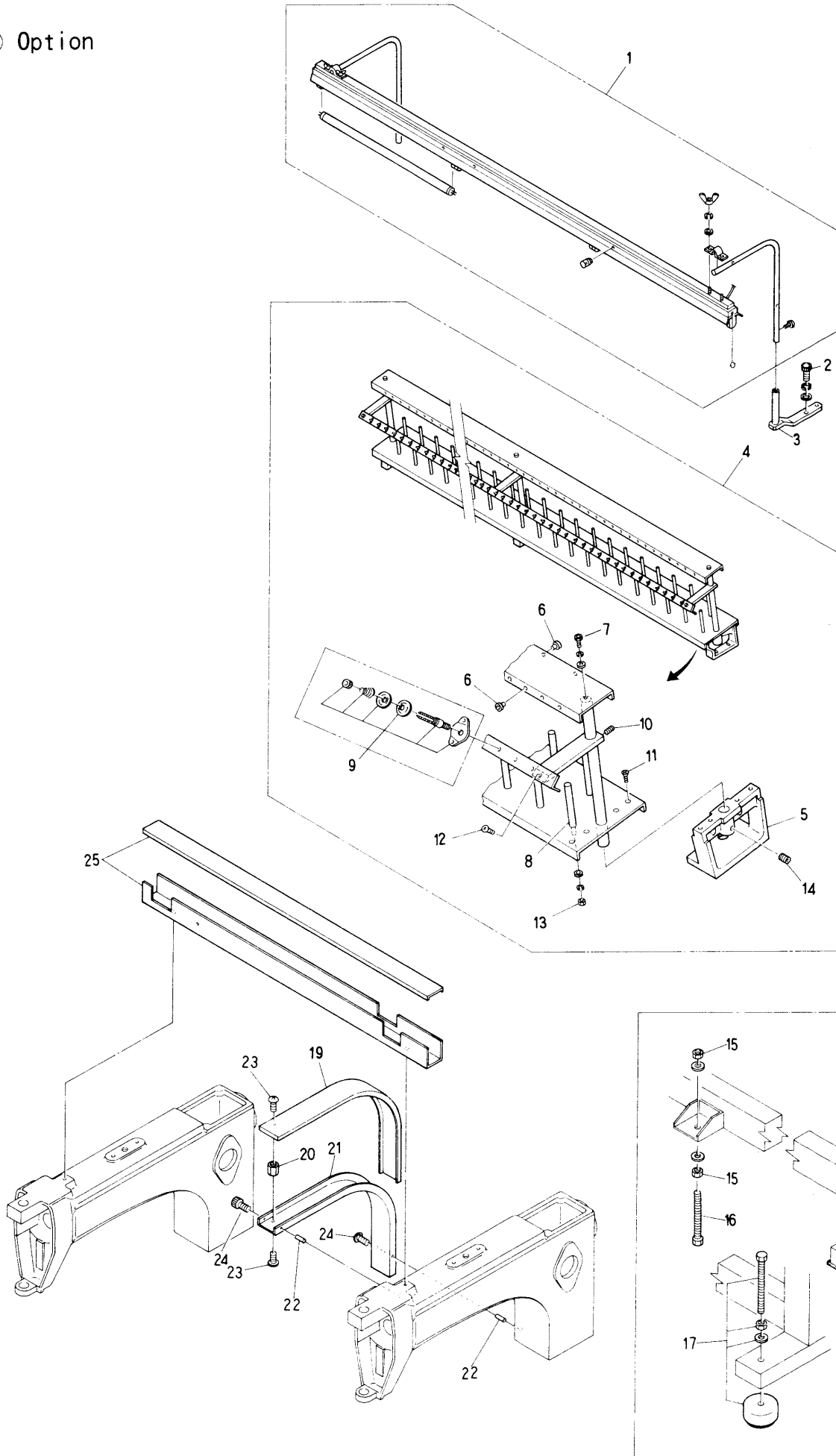
⑧ Thread guide mechanism (7)



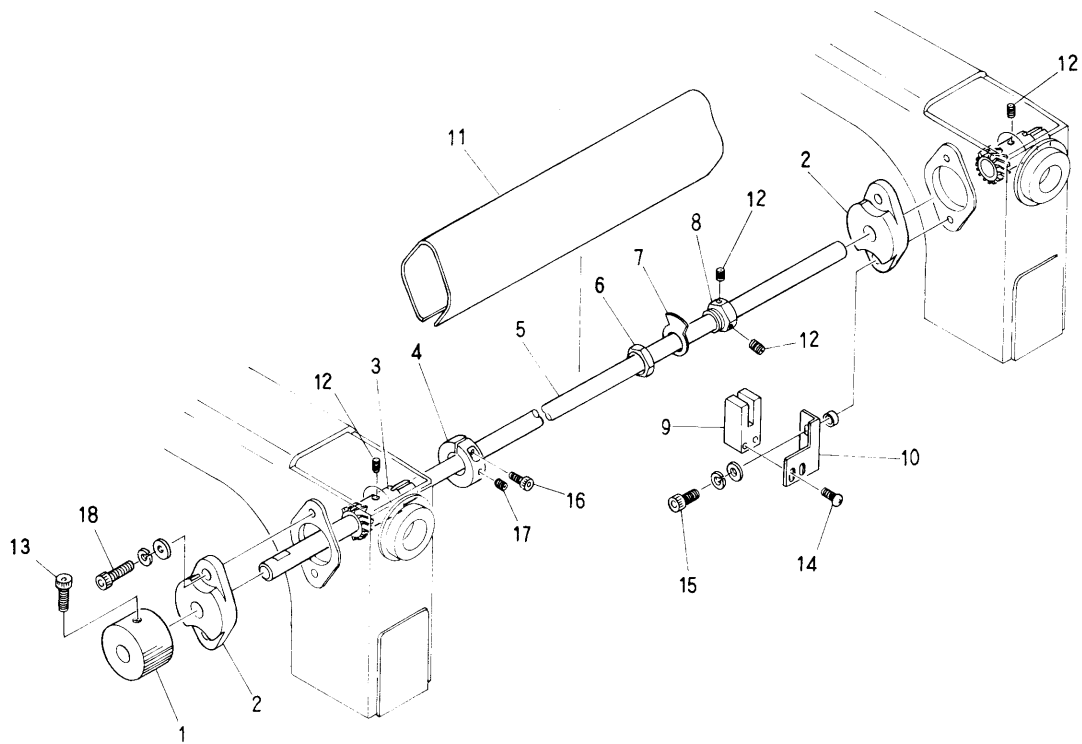
⑨ Jamp mechanism



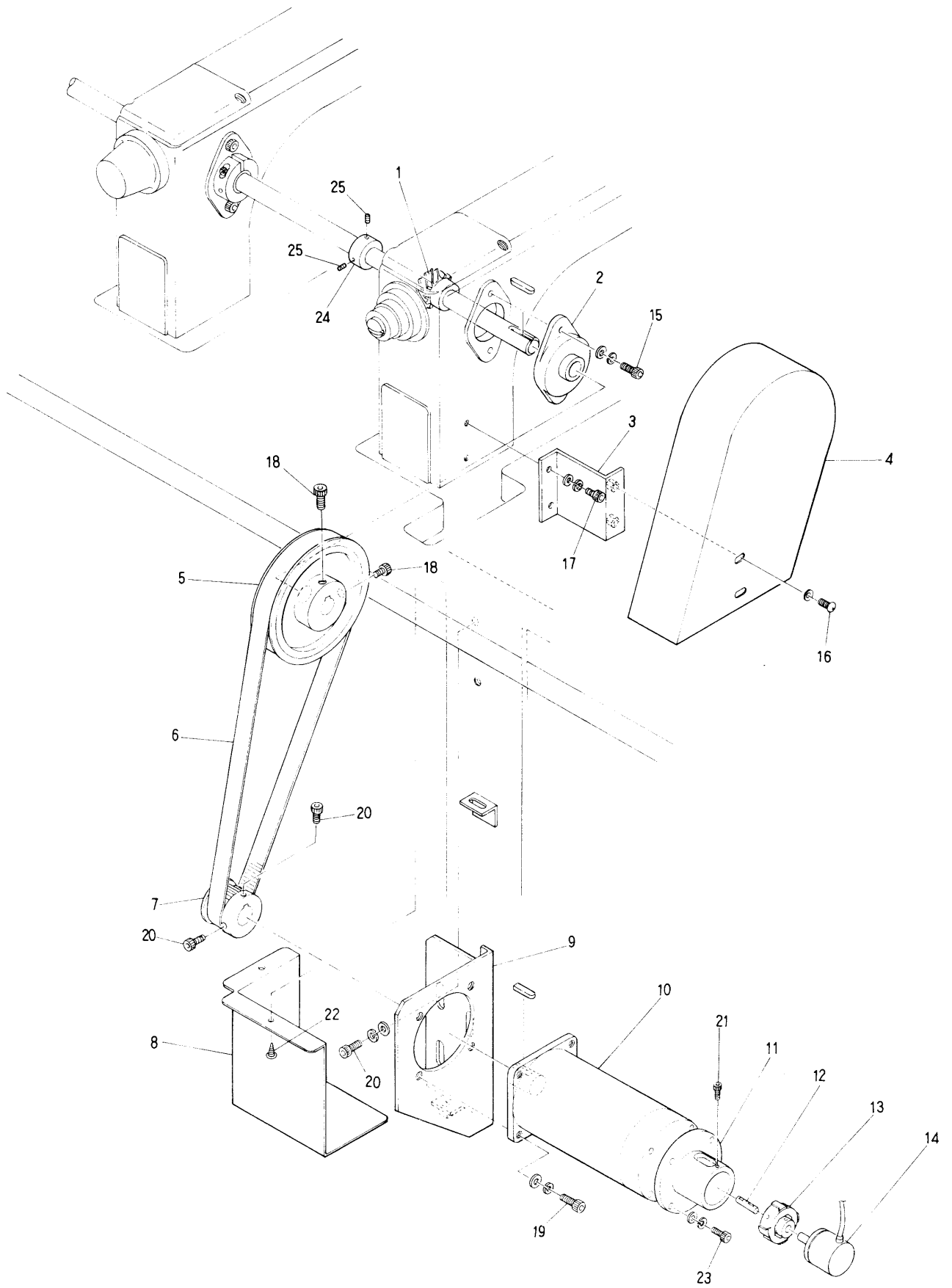
⑩ Option



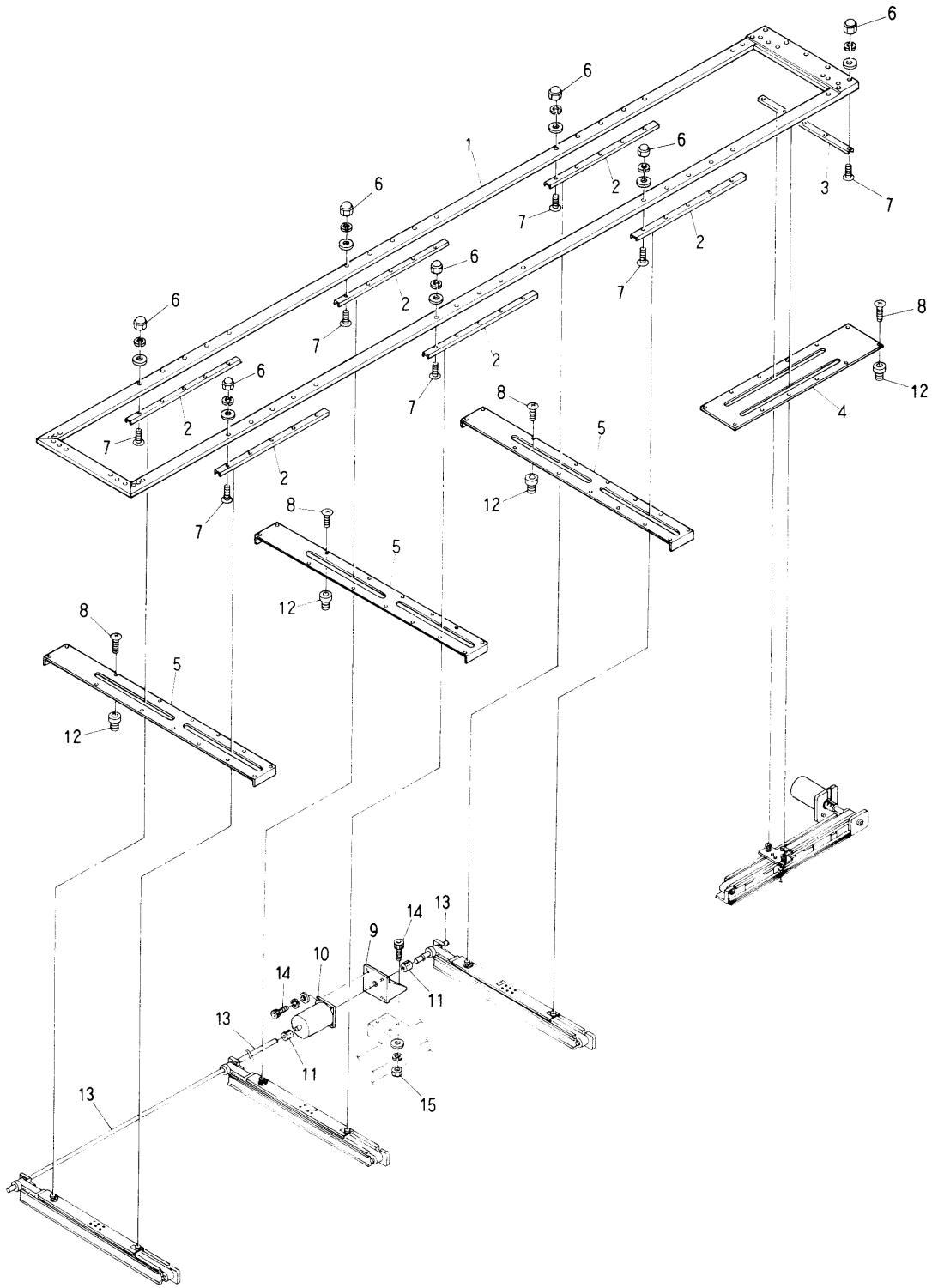
⑪ Connecting rod mechanism



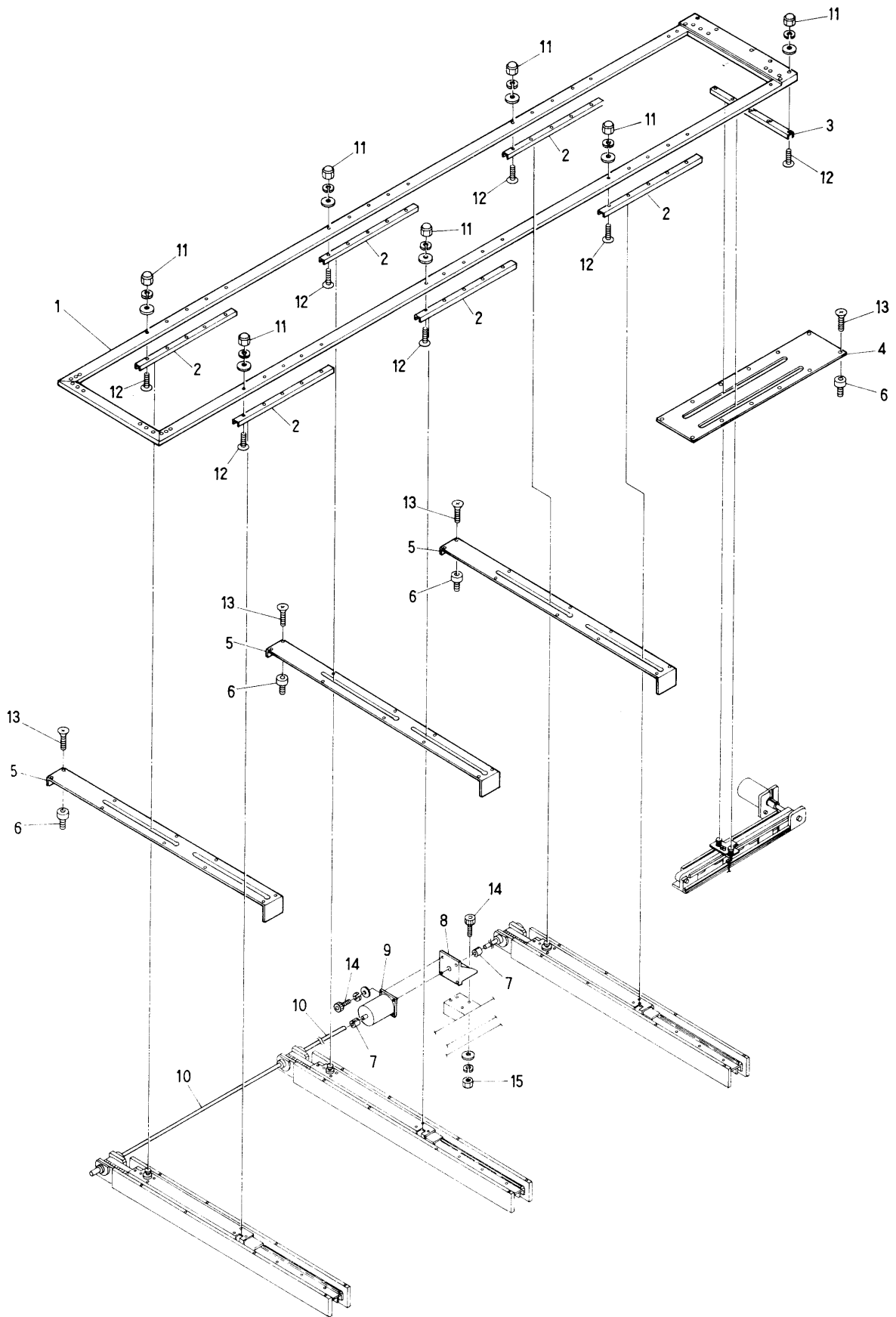
⑫ Drive mechanism



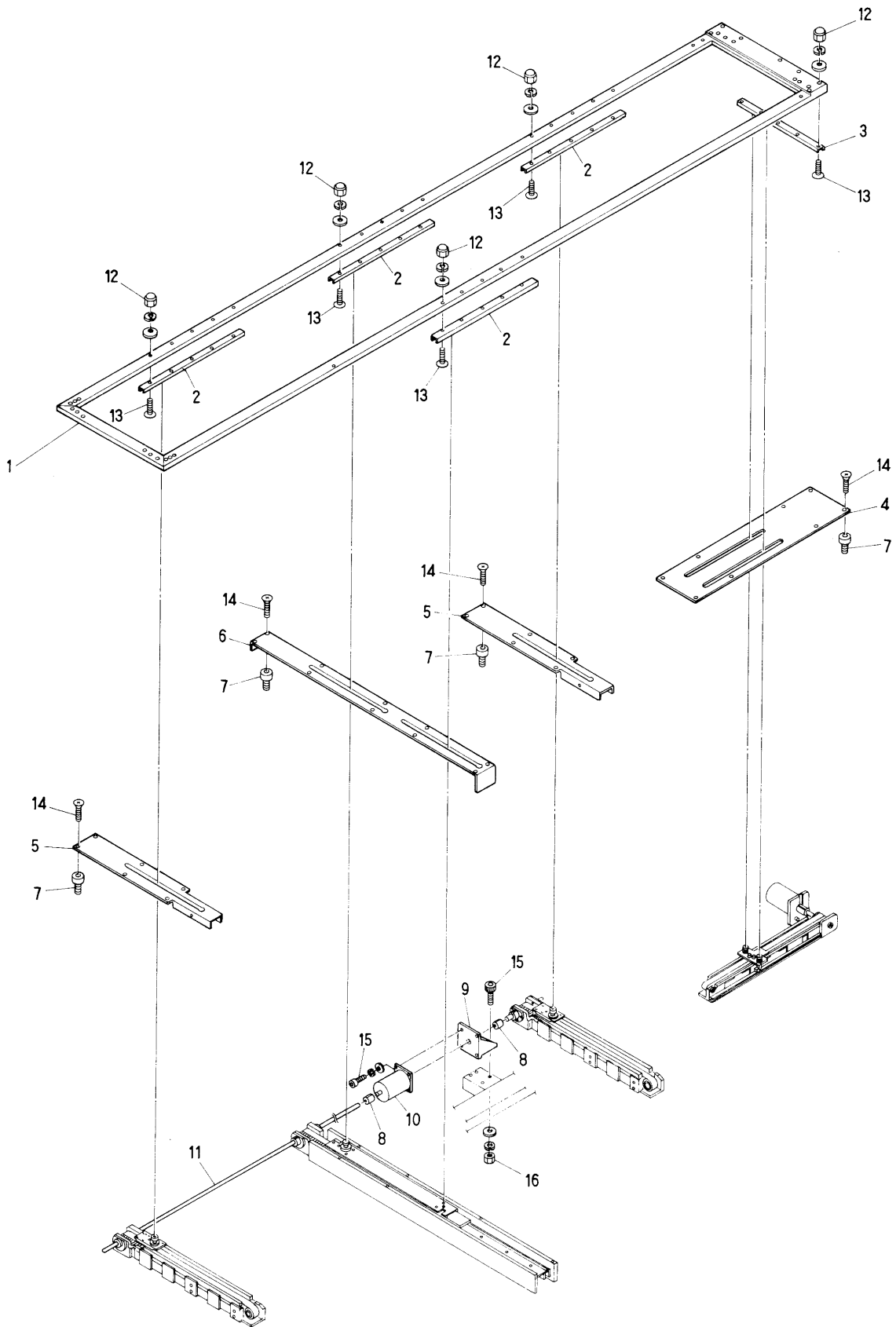
⑬ Pantograph drive mechanism I (BEAT-706) 320×520



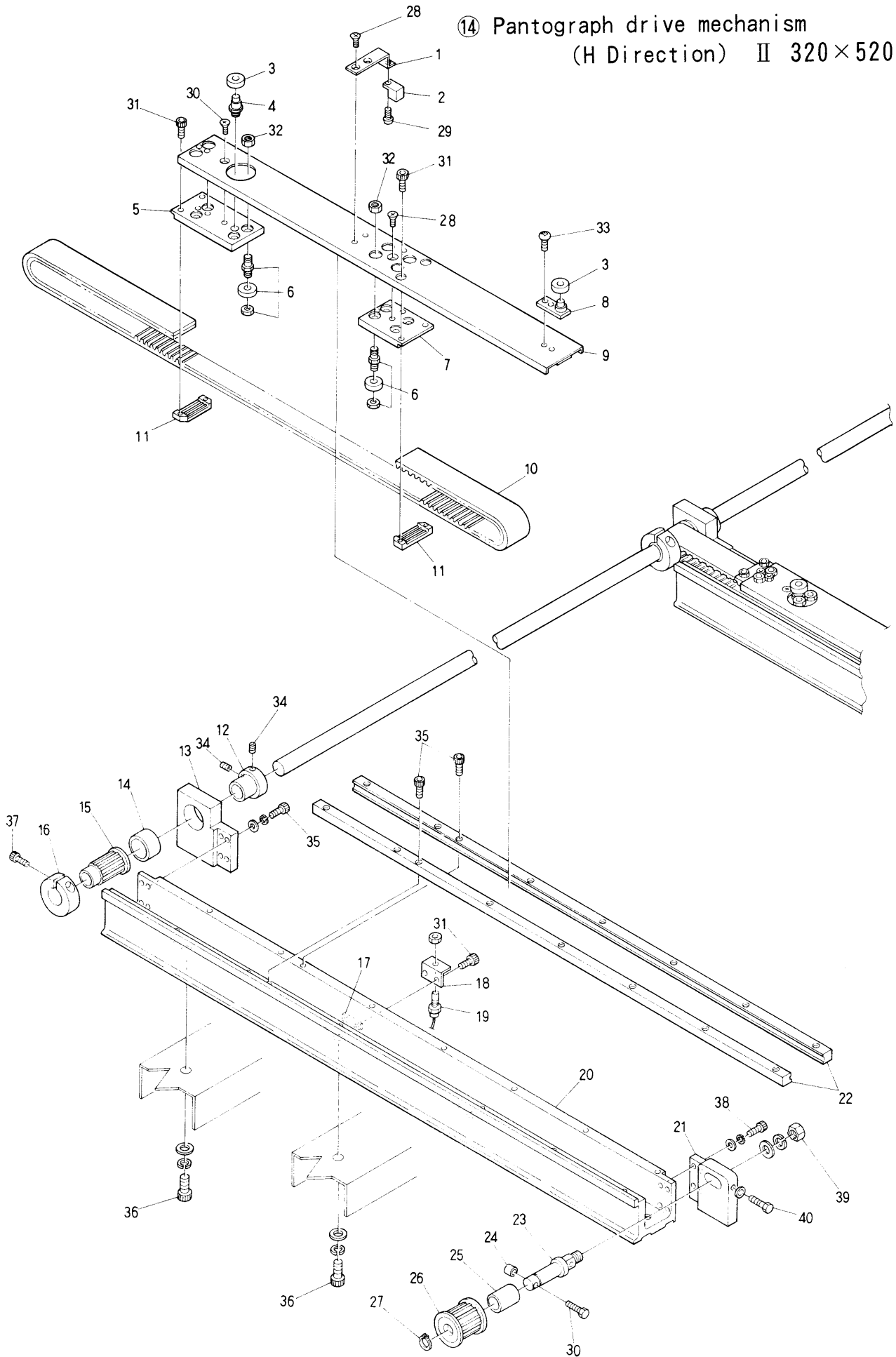
⑬ Pantograph drive mechanism I (BEAT-706) 320×450



⑬ Pantograph drive mechanism I (BEAT-706) 320×350



⑭ Pantograph drive mechanism
 (H Direction) II 320×520



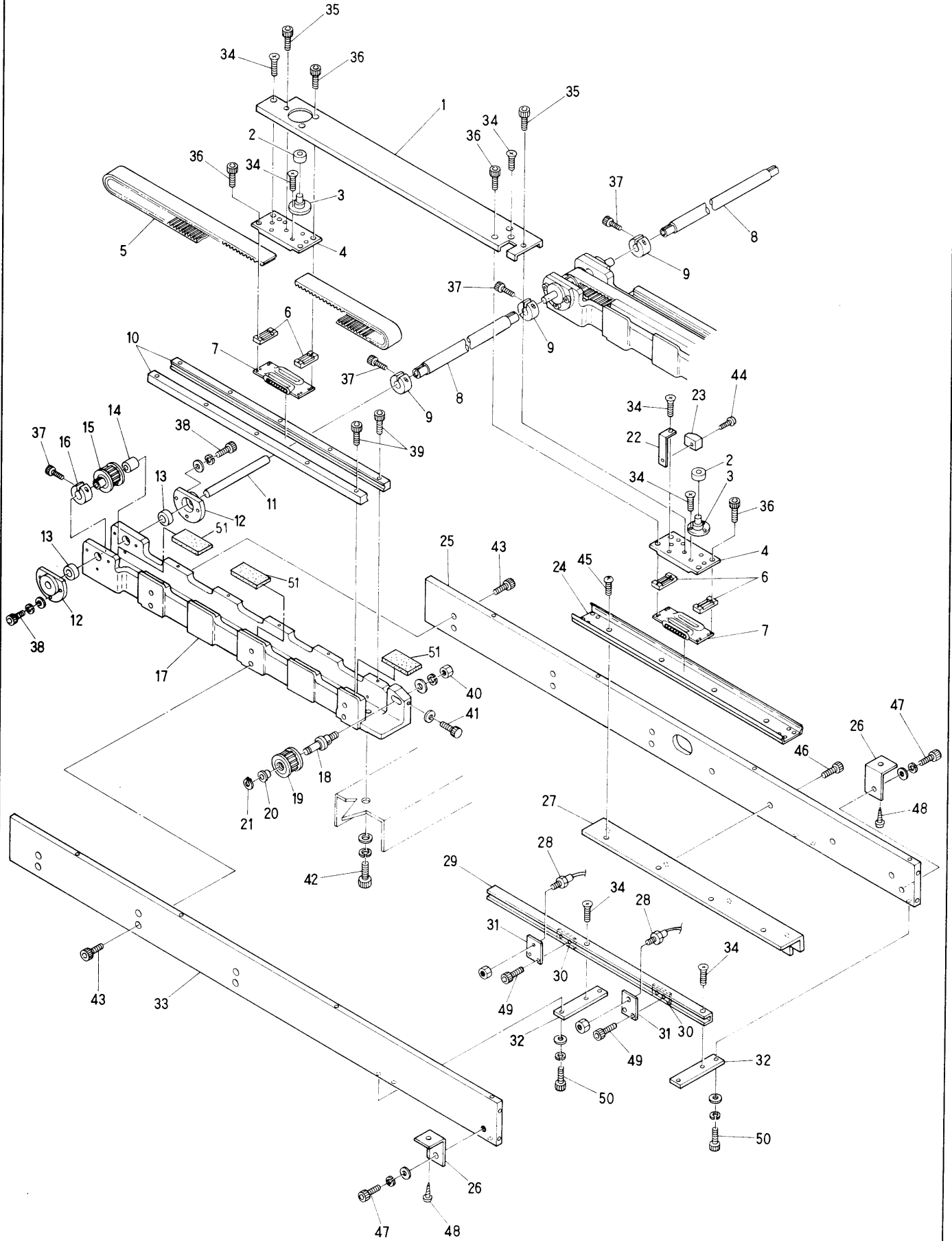
⑭ Pantograph drive mechanism (H Direction) II

320×520

ITEM	PART No.	LIST No.	DESCRIPTION	Q'TY	REMARK
1	463U02	KU 4 6 0 3 4 2	H pantograph magnet bracket	1	
2	95226	A 9 0 5 2 0 2 6	Magnet M-102	1	
3	91006	A 9 0 1 0 0 0 6	Bearing (625zz)(1650)	704 4	
	91006	A 9 0 1 0 0 0 6	Bearing (625zz)(1650)	(706 708) 6	
4	48S3P00	HP 4 8 2 8 3 0	Bearing pin		
5	48S7H00	KN 4 8 2 8 7 0	H roller base (Rear)		
6	48T5P00	HP 4 8 2 9 5 0	Roller pin assy A		
7	48S8N00	KN 4 8 2 8 8 0	H roller base (Front)		
8	48S3P01	HP 4 8 2 8 3 1	Bearing pin		
9	48Y4U00	KU 4 8 3 4 4 0	H member connecting channel (BEAT)		
1 0	92098	A 9 0 2 0 0 9 8	Timing belt 300S5M2000		
1 1	48T4P00	HP 4 8 2 9 4 0	Timing belt rack (5M)		
1 2	48J7H	HH 4 8 1 9 7 0	Pulse motor connecting shaft collar		
1 3	48K1N00	KN 4 8 2 0 1 0	H guide rear pulley bracket		
1 4	91163	A 9 0 1 1 0 6 3	Needle bearing TLA 2016		
1 5	48T9P00	HP 4 8 2 9 9 0	Pantograph driving pulley (Rear) S5M		
1 6	48J8H	HH 4 8 1 9 8 0	Clamping φ19		
1 7	4627U00	KU 4 6 0 2 7 0	Plate nut M3		
1 8	4624T00	MT 4 6 0 2 4 0	RS-001 Bracket (V)		
1 9	95224	A 9 0 5 2 0 2 4	Switch RS-001		
2 0	48Y0N00	KN 4 8 3 4 0 0	H guide rail base (BESR)		
2 1	48K0N00	KN 4 8 2 0 0 0	H guide front pulley bracket		
2 2	48Y5N00	KN 4 8 3 4 5 0	V guide rail (L=660)		
2 3	48J9H01	HH 4 8 1 9 9 1	Timing pulley shaft		
2 4	48L1H	HH 4 8 2 1 1 0	Timing pulley shaft bolt cap		
2 5	91179	A 9 0 1 1 0 7 9	Needle bearing TA-1225		
2 6	48T8P00	HP 4 8 2 9 8 0	Pantograph driving pulley (Front) S5M		
2 7	91252	A 9 0 1 2 0 5 2	E-ring φ10		
2 8			Flush screw M4×6		
2 9			Screw M3×6		
3 0			Hex. bolt M4×40		
3 1			Hex. socket bolt M3×6		
3 2			Hex. nut M5		
3 3			Button bolt		
3 4			Hex. socket set screw M5×8		
3 5			Hex. socket bolt M4×15		
3 6			Hex. socket bolt M8×20		
3 7			Hex. socket bolt M5×20		
3 8			Hex. socket bolt M4×18		
3 9			Hex. nut M8		
4 0			Hex. bolt M4×25		

From the library of: Diamond Needle Corp

⑭ Pantograph drive mechanism (H Direction) II 320×450• 320×350

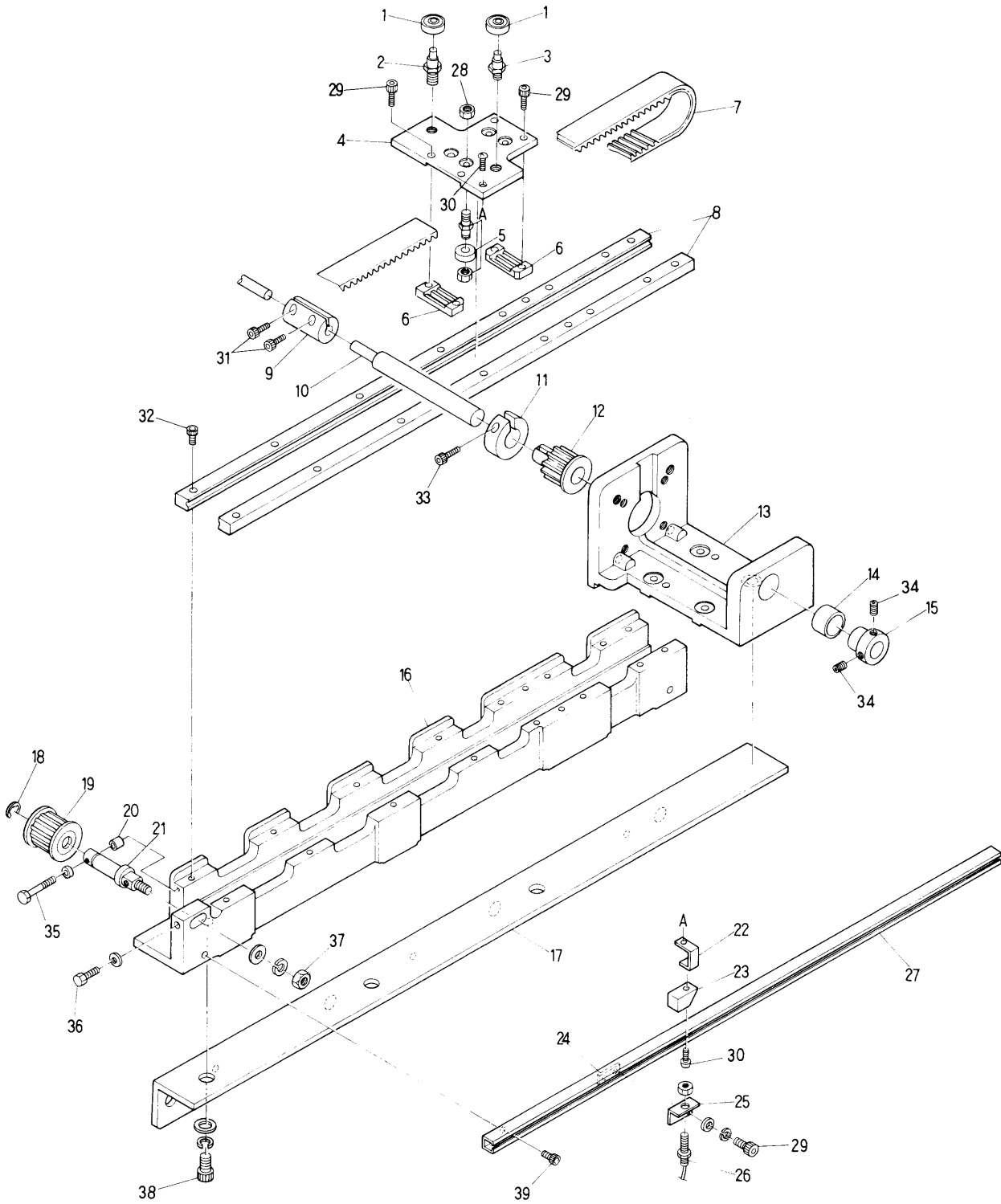


⑭ Pantograph drive mechanism (H Direction) II 320×450・320×350

ITEM	PART No.	LIST No.	DESCRIPTION	QTY	REMARK
1	4824C	KC 4 8 0 2 4 0	H member connectins channel HJ	1	
2	91006	A 9 0 1 0 0 0 6	Bearing (625zz)(1650)	2	
3	4826C	KC 4 8 0 2 6 0	Bearing shaft	2	
4	4821C	KC 4 8 0 2 1 0	H slide pack base	2	
5	48A3H	HH 4 8 1 0 3 0	Timing belt T5-20-243	1	
6	4765C	KC 4 7 0 6 5 0	Timing belt rack	4	
7	4831H	HH 4 8 0 3 1 0	Slide pack (FBW3590)	2	
8			H pulse motor connecting shaft set		
9	4718H	HH 4 7 0 1 8 0	clamp (φ12)		
10	4833C	KC 4 8 0 3 3 0	V guide rail S55C (430L)	2	
11	4764C	KC 4 7 0 6 4 0	Timing belt shaft(150L)		
	4759C	KC 4 7 0 5 9 0	Timing belt shaft(130L)		
12	4769N00	KN 4 7 0 6 9 0	Bearomg husing	2	
13	91101	A 9 0 1 1 0 0 1	Bearing (JBS 108)	2	
14	4762C	KC 4 7 0 6 2 0	Timing pulley adjust collar	1	
15	4752C	KC 4 7 0 5 2 0	Timing pulley (ML-3208-T5-16T)	1	
16	4719C	KC 4 7 0 1 9 0	Clamp (φ13)	1	
17	4879N00	KN 4 8 0 7 9 0	H guide rail base	1	
18	4827C	KC 4 8 0 2 7 0	Timing pulley shaft (Front)	1	
19	4754C	KC 4 7 0 5 4 0	Timing pulley	1	
20	4841H	HH 4 8 0 4 1 0	Timing pulley shaft bush	1	
21	91252	A 9 0 1 2 0 5 2	E-Ring (φ10)	1	
22	4637U02	KU 4 6 0 3 7 2	H pantograph origin point magnet bracket	1	
23	95226	A 9 0 5 2 0 2 6	Magnet M-102	1	
24	4833C	KC 4 8 0 3 3 0	V guide rail S55C (430L)	1	
25	48C3C	KC 4 8 1 2 3 0	H center guide cover R (JRC)	1	
26	1463C	KC 1 4 0 6 3 0	Table adjust plate	2	
27	48C4C	KC 4 8 1 2 4 0	H center guide rail base (JM-C)	1	
28	95224	A 9 0 5 2 0 2 4	Switch RS-001	2	
29	4639U00	KU 4 6 0 3 9 0	H pantograph origin point rail(H center front)	1	
30	4627U00	KU 4 6 0 2 7 0	Plate nut (M3)	2	
31	4638U00	KU 4 6 0 3 8 0	RS-001 Bracket (H center front)	2	
32	48C8C01	KU 4 8 1 2 8 1	H center guide	2	
33	48D6C	KC 4 8 1 3 6 0	H center guide side cover (L)	1	
34			Screw M4×6		
35			Hex. socket bolt M4×8		
36			Hex. socket bolt M3×12		
37			Hex. socket bolt M5×15		
38			Hex. socket bolt M4×20		
39			Hex. socket bolt M4×15		
40			Hex. nut M8		
41			Hex. bolt M4×25		
42			Hex. socket bolt M8×20		
43			Hex. socket bolt M6×18		
44			Truss screw M3×6		

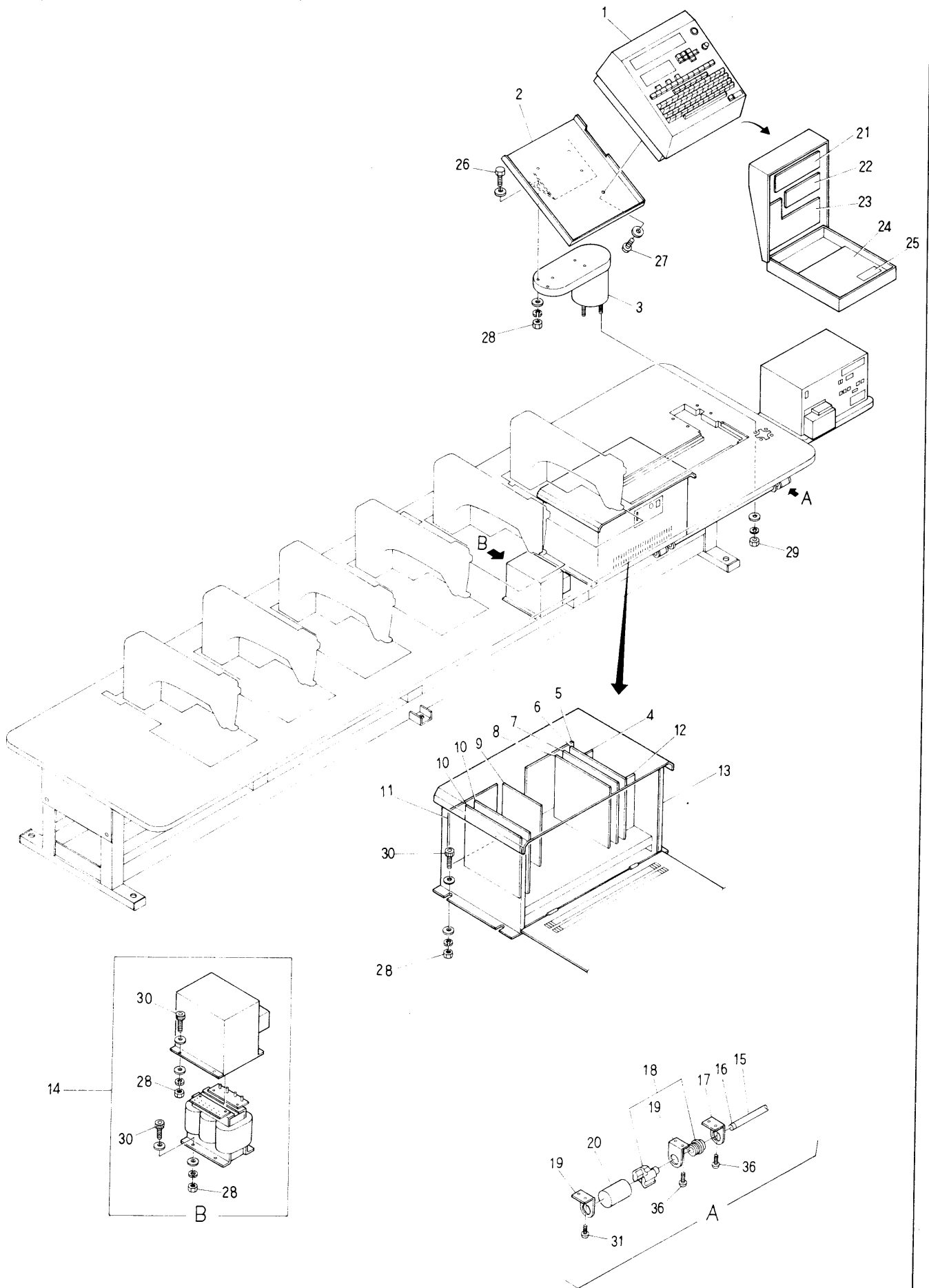
From the library of: Diamond Needle Corp

⑮ Pantograph drive mechanism (V Direction) III 320×520

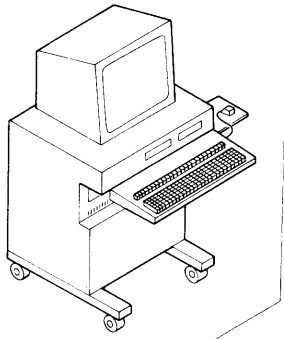


From the library of: Diamond Needle Corp

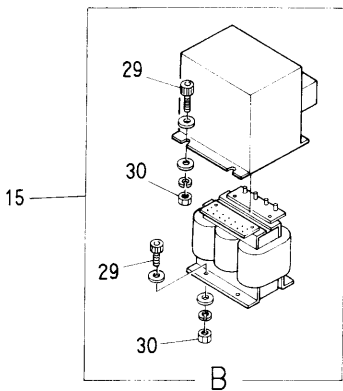
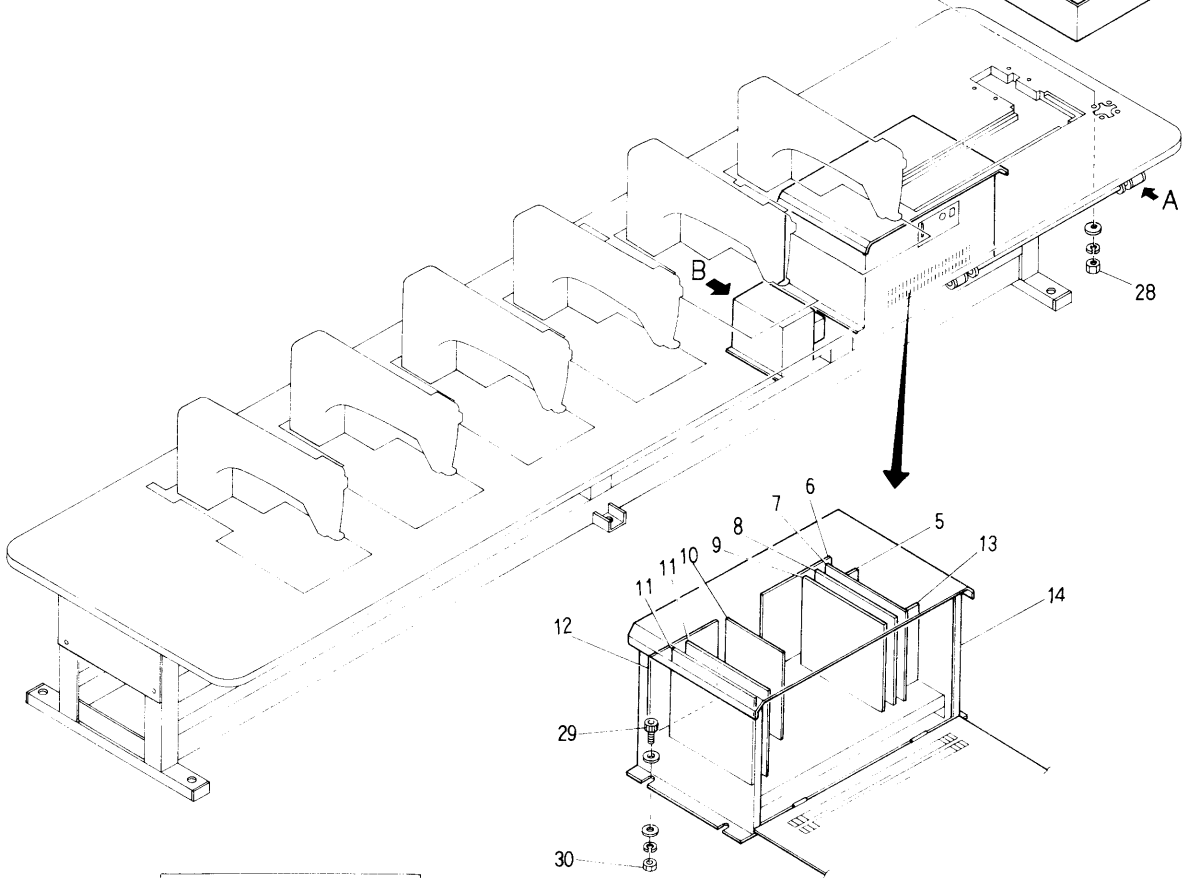
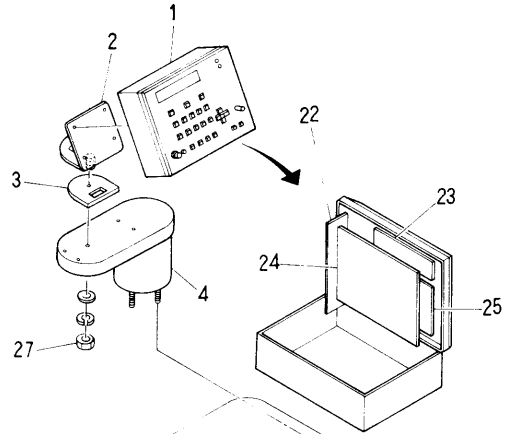
⑩ Control system I (BEAT-708, 706, 704)



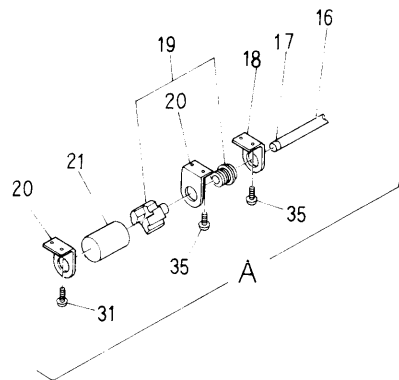
⑩ Control system II (BEAT-M708, M706, M704)



26

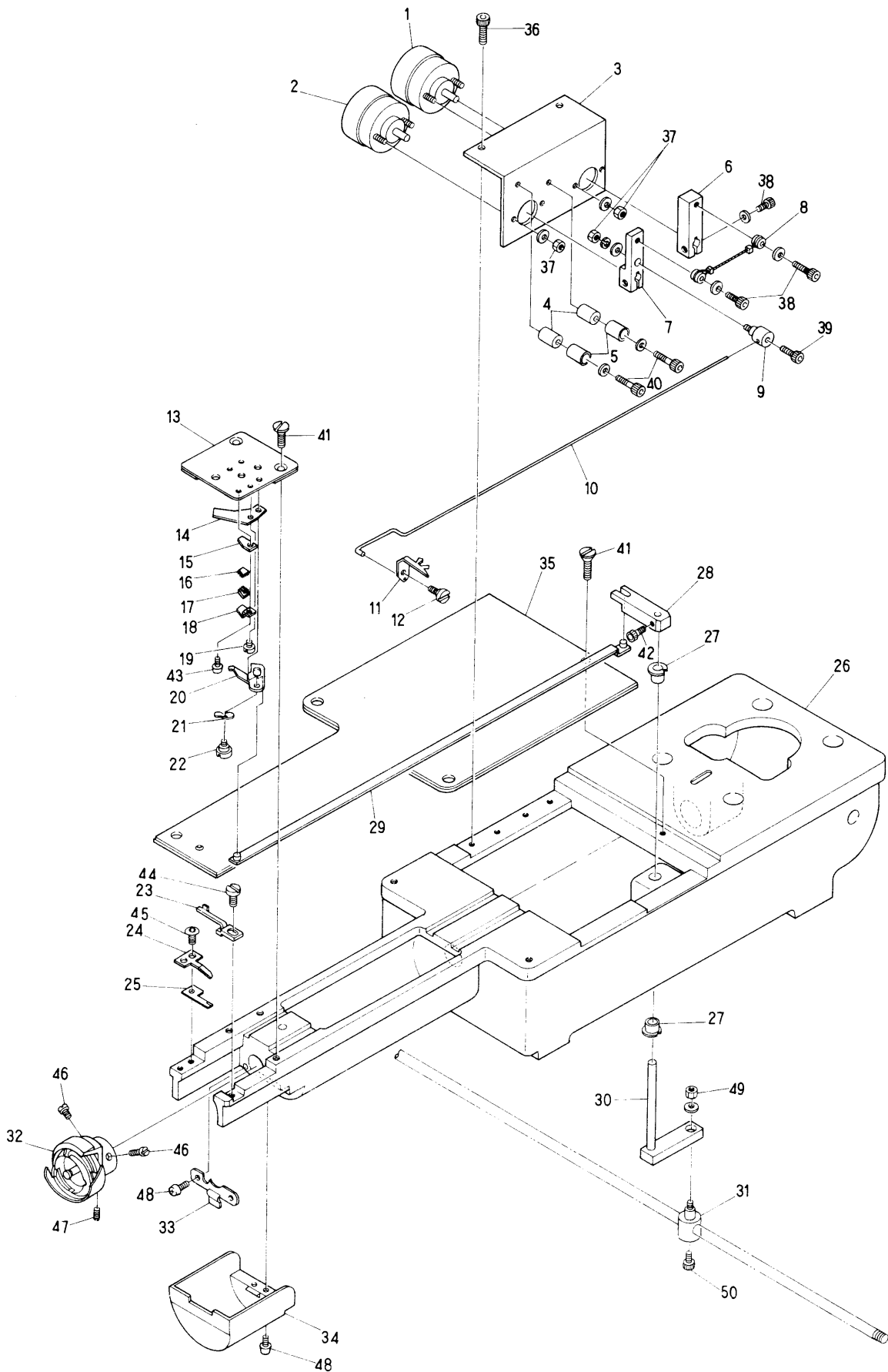


B



A

⑰ Thread cutting mechanism I

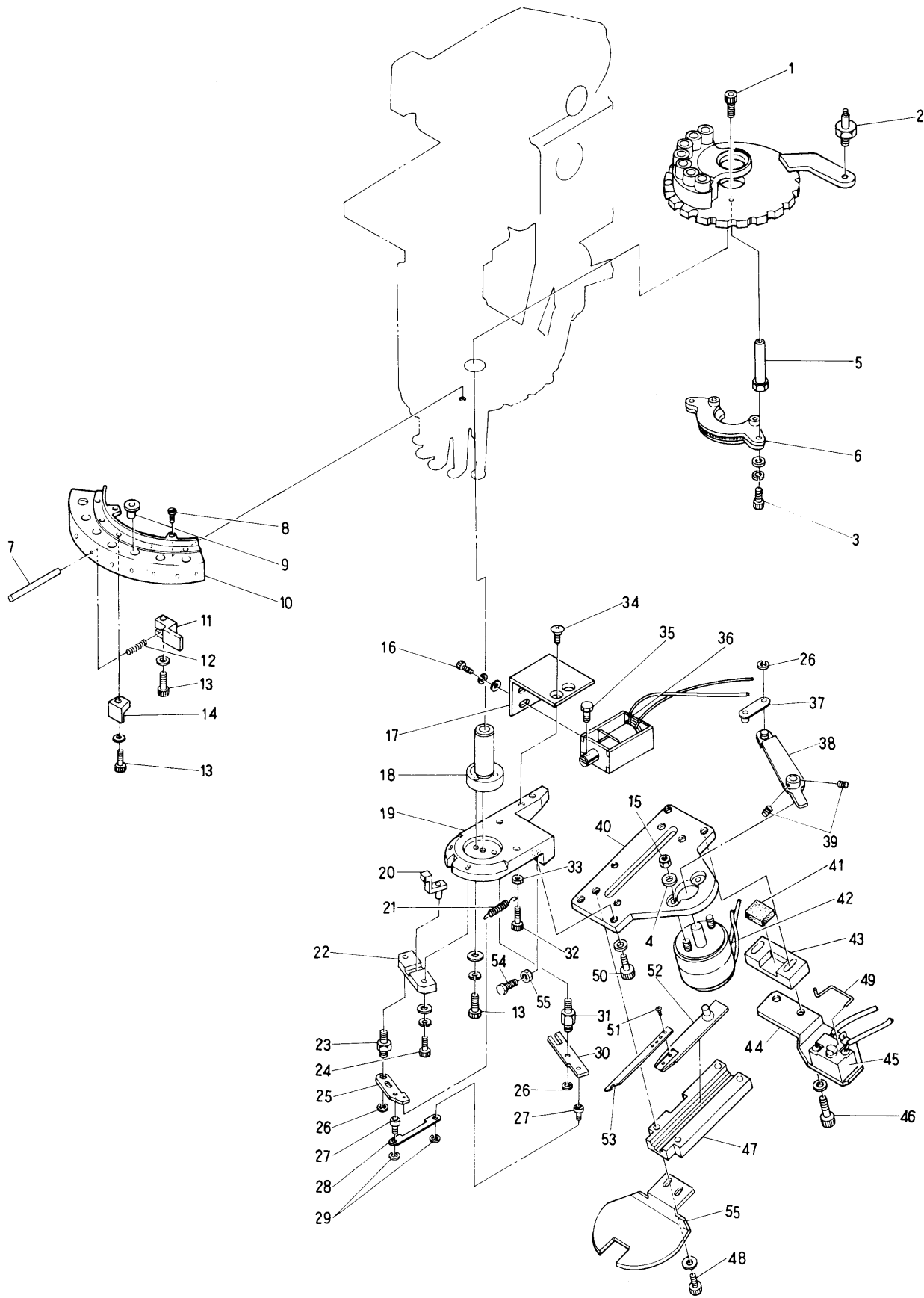


⑰ Thread cutting mechanism I

ITEM	PART No.	LIST No.	DESCRIPTION	Q'TY	REMARK
1	95612	A 9 0 5 6 0 1 2	Rotary solenoid (3EL25X3.8.9)	1/H	
2	95608	A 9 0 5 6 0 0 8	Rotary solenoid (3ER25X3.8.9)	1/H	
3	27J6C	KC 2 7 1 9 6 0	Solenoid stay	1/H	
4	27G5N01	KN 2 7 1 6 5 1	Stopper eccentric	2/H	
5	27G6N01	KN 2 7 1 6 6 1	Eccentric cover	2/H	
6	27J5C	KC 2 7 1 9 5 0	Solenoid lever B	1/H	
7	27J4C	KC 2 7 1 9 4 0	Solenoid lever A	1/H	
8	27J7C	KC 2 7 1 9 7 0	Drive rope	1/H	
9	27A4C01	KC 2 7 1 0 4 1	Conecting clamp	1/H	
1 0	27A3C01	KC 2 7 1 0 3 1	Hook drive rod	1/H	
1 1	27A2C01	KC 2 7 1 0 2 1	Hook	1/H	
1 2	27A0C	KC 2 7 1 0 0 0	Upper thread cutter turning shaft	1/H	
1 3	2794C	KC 2 7 0 9 4 0	Needle plate	1/H	
1 4	2796C	KC 2 7 0 9 6 0	Fixed cutter	1/H	
1 5	27C2C	KC 2 7 1 2 2 0	Lower thread support stay (Upper)	1/H	
1 6	27C1C01	KC 2 7 1 2 1 1	Magic tape (Upper)	1/H	
1 7	27C0C01	KC 2 7 1 2 0 1	Magic tape (Lower)	1/H	
1 8	27B9C01	KC 2 7 1 1 9 1	Lower thread support stay (Lower)	1/H	
1 9	2798C	KC 2 7 0 9 8 0	Fixed cutter set screw	1/H	
2 0	2795C	KC 2 7 0 9 5 0	Lower thread cutter	1/H	
2 1	91345	A 9 0 1 3 0 4 5	Wave washer (WW5)	1/H	
2 2	2797C	KC 2 7 0 9 7 0	Lower thread cutter turret shaft	1/H	
2 3	2264C01	KC 2 2 0 6 4 1	Bobbin case fixing plate	1/H	
2 4	2719N00	KN 2 7 1 8 9 0	Cutter fixing plate	1/H	
2 5	27G0N00	KN 2 7 1 6 0 0	Upper thread cutter	1/H	
2 6	2128G02	KG 2 1 0 2 8 2	Bet	1/H	
2 7	912B4	A 9 0 1 2 1 1 4	DU bush (MB0505-10FPU)	1/H	
2 8	27B2C	KC 2 7 1 1 2 0	Lower thread cutter drive lever (Upper)	1/H	
2 9	27A7C	KC 2 7 1 0 7 0	Lower thread cutter drive rod	1/H	
3 0	27B3C	KC 2 7 1 1 3 0	Lower thread cutter drive lever (Lower)	1/H	
3 1	2364F	TF 2 3 0 6 4 0	Lock connecting bar clamp	1/H	
3 2	2231F	TF 2 2 0 3 1 0	Bobbin case	1/H	
3 3	2548C01	KC 2 5 0 4 8 1	Bed cover fixing spring	1/H	
3 4	2547C01	KC 2 5 0 4 7 1	Bed cover	1/H	
3 5	2191G01	KG 2 1 0 9 1 1	Cylinder bed cover	1/H	
3 6			Hex. socket bolt M4×8		
3 7			Hex. nut M3		
3 8			Hex. socket bolt M4×10		
3 9			Hex. socket bolt M3×5		
4 0			Hex. socket bolt M4×18		
4 1			Screw (SM11/64 40×8.5)		
4 2			Hex. socket bolt M4×8		
4 3			Pan screw M3×3		
4 4			Screw (SM11/64 40×7)		
4 5			Hex. socket bottom bolt M3×6		

From the library of: Diamond Needle Corp

⑱ Thread cutting mechanism II



⑱ Thread cutting mechanism II

ITEM	PART No.	LIST No.	DESCRIPTION	Q'TY	REMARK
1			Hex. socket bolt M3×15		
2	2720H	HH 2 7 0 2 0 0	Turret plate joint pin A	1	
3			Hex socket bolt M3×8		
4			Hex. nut M3		
5	2716N00	KN 2 7 0 1 6 0	Clamp support shaft	2	
6	2772C	KC 2 7 0 7 2 0	Thread support clamp CMP	1	
7	2731G	KG 2 7 0 3 1 0	Thread support shaft (7)	7	
8			Screw (SM9/64 40)		
9	2358F	KF 2 3 0 5 8 0	Take up lever ceramic	7	
10	2728C03	KC 2 7 0 2 8 3	Thread support apron (5)	1	
	2728G02	KG 2 7 0 2 8 2	Thread support apron (7)	1	
11	2730C01	KC 2 7 0 3 0 1	Thread support clamp	7	
12	2727C01	KC 2 7 0 2 7 1	Support spring	7	
13			Hex socket bolt M4×10		
14	2729C02	KC 2 7 0 2 9 2	Thread support block	7	
15			Hex nut M4		
16			Hex socket bolt M3×6		
17	2719C	KC 2 7 0 1 9 0	Solenoid stay	1	
18	2701C	KC 2 7 0 0 1 0	Drive shaft lower metal	1	
19	2722C02	KC 2 7 0 2 2 2	Fixing base	1	
20	2765C	KC 2 7 0 6 5 0	Thread support slider CMP	1	
21	2740C01	KC 2 7 0 4 0 1	Thread support lever spring	1	
22	2703C	KC 2 7 0 0 3 0	Slide base	1	
23	2705C	KC 2 7 0 0 5 0	Lever pin	1	
24			Hex socket bolt M3×10		
25	2706C	KC 2 7 0 0 6 0	Lever	1	
26	912C7	A 9 0 1 2 1 2 7	E-ring 3	3	
27	2707C	KC 2 7 0 0 7 0	Rod pin	2	
28	2718C	KC 2 7 0 1 8 0	Plate rod	1	
29	91258	A 9 0 1 2 0 5 8	E-ring $\phi 2.5$	2	
30	2717C01	KC 2 7 0 1 7 1	Scand lever	1	
31	2708C	KC 2 7 0 0 8 0	Scand lever pin	1	
32			Hex socket bolt M3×12		
33			Hex nut M3		
34			Flush screw M4×8		
35	2710C01	KC 2 7 0 1 0 1	Solenoid pin	1	
36	95613	A 9 0 5 6 0 1 3	Keep solenoid TDS-K10SL (SP planger)	1	
37	2715N00	KN 2 7 1 8 5 0	Lever connecting plate	1	
38	2714N00	KN 2 7 1 8 4 0	Thread support lever	2	
39			Hex socket set screw M3×5		
40	2733C01	KC 2 7 0 3 3 1	Thread support base	1	
41	2737C	KC 2 7 0 3 7 0	Stopper rubber	1	
42	95607	A 9 0 5 6 0 0 7	Rotary solenoid 4ER67.5-34×3×8×9	1	
43	2736C	KC 2 7 0 3 6 0	Stopper base	1	
44	2770C	KC 2 7 0 7 0 C	Switch stay	1	

From the library of: Diamond Needle Corp

I N D E X

LIST No.	PART No.	PAGENO.	ITEM	LIST No.	PART No.	PAGENO.	ITEM
A 9 0 1 0 0 0 1	91001	3 8	3 7	A 9 0 2 0 0 9 8	92098	6 2	7
A 9 0 1 0 0 0 6	91006	6 0	2	A 9 0 2 0 0 9 8	92098	5 8	1 0
A 9 0 1 0 0 0 6	91006	6 2	1	A 9 0 2 0 1 0 6	920A6	5 0	6
A 9 0 1 0 0 0 6	91006	5 8	3	A 9 0 5 2 0 0 2	95202	7 0	4 5
A 9 0 1 0 0 0 6	91006	5 8	3	A 9 0 5 2 0 0 5	95205	7 2	1 2
A 9 0 1 0 0 0 9	91009	3 4	2 1	A 9 0 5 2 0 2 4	95224	6 0	2 8
A 9 0 1 0 0 0 9	91009	3 6	2 1	A 9 0 5 2 0 2 4	95224	6 2	2 6
A 9 0 1 0 0 0 9	91009	4 4	1 4	A 9 0 5 2 0 2 4	95224	5 8	1 9
A 9 0 1 1 0 0 1	91101	6 0	1 3	A 9 0 5 2 0 2 6	95226	6 0	2 3
A 9 0 1 1 0 2 1	91121	3 4	2 3	A 9 0 5 2 0 2 6	95226	6 2	2 3
A 9 0 1 1 0 2 1	91121	3 6	2 3	A 9 0 5 2 0 2 6	95226	5 8	2
A 9 0 1 1 0 2 2	91122	3 4	2 6	A 9 0 5 6 0 0 7	95607	7 0	4 2
A 9 0 1 1 0 2 2	91122	3 6	2 6	A 9 0 5 6 0 0 8	95608	6 8	2
A 9 0 1 1 0 2 3	91123	3 4	2 2	A 9 0 5 6 0 1 1	95611	3 8	2 4
A 9 0 1 1 0 2 3	91123	3 6	2 2	A 9 0 5 6 0 1 2	95612	6 8	1
A 9 0 1 1 0 4 2	91142	5 0	2	A 9 0 5 6 0 1 3	95613	7 0	3 6
A 9 0 1 1 0 4 9	91149	3 8	5	A 9 0 6 5 0 2 6	96526	7 2	1 8
A 9 0 1 1 0 6 3	91163	6 2	1 4	E A N 0 0 6 1 0	51T0050	6 6	1 3
A 9 0 1 1 0 6 3	91163	5 8	1 4	E A N 0 1 6 A 1	51H3UUAU	6 4	1
A 9 0 1 1 0 7 9	91179	5 8	2 5	E A N 0 1 6 A 2	51H4UUAU	6 4	1 3
A 9 0 1 1 1 1 2	911B2	3 0	7	E A N 0 1 6 A 2	51H4UUAU	6 6	1 4
A 9 0 1 1 1 1 2	911B2	3 2	7	E A N 0 1 7 A 0	51J9UUAU	6 6	1
A 9 0 1 2 0 0 1	91201	3 4	2 9	E A N 0 2 0 A 3	51J5UUAU	6 4	1 4
A 9 0 1 2 0 0 1	91201	3 6	2 9	E A N 0 2 0 A 3	51J5UUAU	6 6	1 5
A 9 0 1 2 0 0 1	91201	3 8	1 9	E A N 0 2 1 A 3	51J6UUAU	6 4	1 4
A 9 0 1 2 0 0 2	91202	7 2	5	E A N 0 2 1 A 3	51J6UUAU	6 6	1 5
A 9 0 1 2 0 0 2	91202	3 8	2 8	E A N 0 2 2 A 3	51J7UUAU	6 4	1 4
A 9 0 1 2 0 0 3	91203	3 4	2 9	E A N 0 2 2 A 3	51J7UUAU	6 6	1 5
A 9 0 1 2 0 0 3	91203	3 6	2 9	E B N 0 0 5 6 0	55T0000	6 4	1 1
A 9 0 1 2 0 0 5	91205	3 4	2 9	E B N 0 0 5 6 0	55T0000	6 6	1 2
A 9 0 1 2 0 0 5	91205	3 6	2 9	E B N 0 0 5 7 0	55T0010	6 4	9
A 9 0 1 2 0 0 7	91207	2 6	6	E B N 0 0 5 7 0	55T0010	6 6	1 0
A 9 0 1 2 0 0 7	91207	2 8	4	E B N 0 0 5 8 0	55T0020	6 4	5
A 9 0 1 2 0 2 7	91227	2 6	1 4	E B N 0 0 5 8 0	55T0020	6 6	6
A 9 0 1 2 0 5 2	91252	6 0	2 1	E B N 0 0 5 9 0	55T0030	6 4	4
A 9 0 1 2 0 5 2	91252	6 2	1 8	E B N 0 0 5 9 0	55T0030	6 6	5
A 9 0 1 2 0 5 2	91252	5 8	2 7	E B N 0 0 6 0 0	55T0040	6 4	6
A 9 0 1 2 0 5 5	91255	3 8	3 8	E B N 0 0 6 0 0	55T0040	6 6	7
A 9 0 1 2 0 5 8	91258	7 0	2 9	E B N 0 0 6 1 0	55T0050	6 4	1 2
A 9 0 1 2 1 1 4	912B4	6 8	2 7	E B N 0 0 6 2 0	55T0060	6 4	7
A 9 0 1 2 1 2 7	912C7	7 0	2 6	E B N 0 0 6 2 0	55T0060	6 6	8
A 9 0 1 2 1 4 3	912E3	3 8	3 9	E B N 0 0 6 3 0	55T0070	6 4	8
A 9 0 1 2 1 5 0	912F0	3 8	8	E B N 0 0 6 3 0	55T0070	6 6	9
A 9 0 1 2 2 0 2	912K2	4 6	2 2	E B N 0 0 6 4 0	55T0080	6 4	1 0
A 9 0 1 3 0 4 5	91345	6 8	2 1	E B N 0 0 6 4 0	55T0080	6 6	1 1

I N D E X

LIST No.	PART No.	PAGENO.	ITEM	LIST No.	PART No.	PAGENO.	ITEM
E B N 0 0 6 5 0	55T0090	4 0	6	H P 2 3 1 3 7 0	23D7P00	3 4	1 6
E B N 0 0 6 5 0	55T0090	4 2	6	H P 2 3 1 3 7 0	23D7P00	3 6	1 6
E B N 0 0 6 6 0	55T0100	3 8	3	H P 2 4 0 1 9 0	24I9P00	4 4	8
E B N 0 0 6 7 0	55T0110	6 4	2 1	H P 2 4 1 1 1 0	24B1P00	4 0	2
E B N 0 0 6 8 0	55T0120	6 4	2 2	H P 2 4 1 1 2 0	24B2P00	4 2	2
E B N 0 0 6 8 0	55T0120	6 6	2 3	H P 2 4 1 1 3 0	24B3P00	4 4	2
E B N 0 0 6 9 0	55T0130	6 4	2 3	H P 2 4 1 1 4 0	24B4P00	4 4	2
E B N 0 0 7 0 0	55T0140	6 4	2 4	H P 2 4 1 1 5 0	24B5P00	4 0	1 1
E B N 0 0 7 1 0	55T0150	6 4	2 5	H P 2 4 1 1 5 0	24B5P00	4 2	1 1
E B N 0 0 7 2 0	55T0160	6 6	2 2	H P 2 4 1 1 6 0	24B6P00	4 0	3
E B N 0 0 7 3 0	55T0170	6 6	2 4	H P 2 4 1 1 6 0	24B6P00	4 2	3
E B N 0 0 7 4 0	55T0180	6 6	2 5	H P 2 4 1 1 7 0	24B7P00	4 0	9
E B N 0 1 8 A 0	51K1UAU	6 6	2 6	H P 2 4 1 1 8 0	24B8P00	4 2	9
H G 2 4 1 0 2 0	24A2G	4 0	1	H P 2 4 1 1 9 0	24B9P00	4 0	7
H G 2 4 1 0 2 0	24A2G	4 2	1	H P 2 4 1 2 0 0	24C0P00	4 2	7
H H 1 2 0 9 0 0	1290H	4 6	1 8	H P 2 4 1 2 1 0	24C1P00	4 4	1
H H 1 2 0 9 2 0	1292H	4 6	1 6	H P 2 4 1 3 7 1	24D7P01	4 0	4
H H 2 4 0 3 6 0	2436H	4 0	2 0	H P 2 4 1 3 8 1	24D8P01	4 2	4
H H 2 4 0 3 6 0	2436H	4 2	2 0	H P 2 4 1 3 9 0	24D9P00	4 0	5
H H 3 3 0 2 8 1	3328H01	3 8	1	H P 2 4 1 3 9 0	24D9P00	4 2	5
H H 3 3 0 6 2 0	3362H	3 8	6	H P 2 4 1 4 0 0	24E0P00	4 0	1 3
H H 3 3 0 6 7 0	3367H	3 8	3 4	H P 2 4 1 4 0 0	24E0P00	4 2	1 3
H H 3 3 0 7 6 0	3376H	7 2	3	H P 2 4 1 4 1 0	24E1P00	4 0	1 2
H H 3 3 0 8 1 0	3381H	3 8	1 3	H P 2 4 1 4 1 0	24E1P00	4 2	1 2
H H 4 7 0 1 8 0	4718H	6 0	9	H P 2 4 1 4 5 0	24E5P00	4 0	8
H H 4 8 0 3 1 0	4831H	6 0	7	H P 2 4 1 4 6 0	24E6P00	4 2	8
H H 4 8 0 4 1 0	4841H	6 0	2 0	H P 2 4 1 4 7 0	24E7P00	4 0	1 0
H H 4 8 1 0 3 0	48A3H	6 0	5	H P 2 4 1 4 8 0	24E8P00	4 2	1 0
H H 4 8 1 9 3 1	48J3H01	5 2	1 1	H P 2 5 0 0 1 0	2501G	4 2	1 7
H H 4 8 1 9 3 1	48J3H01	5 6	8	H P 2 5 0 0 5 0	2505P00	4 0	1 7
H H 4 8 1 9 3 1	48J3H01	5 4	7	H P 2 5 0 5 8 1	2558P01	4 0	1 6
H H 4 8 1 9 3 1	48J3H01	6 2	9	H P 2 5 0 5 8 1	2558P01	4 2	1 6
H H 4 8 1 9 7 0	48J7H	6 2	1 5	H P 2 5 0 6 2 0	2562P00	4 0	1 4
H H 4 8 1 9 7 0	48J7H	5 8	1 2	H P 2 5 0 6 3 0	2563P00	4 2	1 4
H H 4 8 1 9 8 0	48J8H	6 2	1 1	H P 3 3 1 5 2 0	33F2P00	3 8	2 1
H H 4 8 1 9 8 0	48J8H	5 8	1 6	H P 3 3 1 5 3 1	33F3P01	3 8	2 5
H H 4 8 1 9 9 1	48J9H01	6 2	2 1	H P 3 3 1 5 5 0	33F5P00	3 8	2 2
H H 4 8 1 9 9 1	48J9H01	5 8	2 3	H P 3 3 1 5 6 0	33F6P00	3 8	3 3
H H 4 8 2 1 1 0	48L1H	6 2	2 0	H P 3 3 1 5 7 0	33F7P00	3 8	1 4
H H 4 8 2 1 1 0	48L1H	5 8	2 4	H P 3 3 1 5 8 0	33F8P00	3 8	1 6
H P 2 3 1 2 9 0	23C9P00	3 4	1 8	H P 3 3 1 5 9 0	33F9P00	3 8	1 7
H P 2 3 1 2 9 0	23C9P00	3 6	1 8	H P 3 3 1 6 6 0	33G6P00	3 8	2 0
H P 2 3 1 3 1 0	23D1P00	3 4	1 7	H P 3 3 1 6 9 0	33J6P00	3 8	1 0
H P 2 3 1 3 1 0	23D1P00	3 6	1 7	H P 3 3 1 9 4 0	33J4P00	3 8	9
H P 2 3 1 3 4 0	23D4P00	7 0	2	H P 3 3 1 9 4 0	33J4P00	3 8	2 3

I N D E X

LIST No.	PART No.	PAGENO.	ITEM	LIST No.	PART No.	PAGENO.	ITEM
HP 3 3 1 9 5 0	33J5P00	3 8	3 6	KC 1 4 0 5 3 0	1453C	1 8	1 3
HP 4 8 2 8 3 0	48S3P00	6 2	3	KC 1 4 0 5 3 0	1453C	1 0	1 3
HP 4 8 2 8 3 0	48S3P00	5 8	4	KC 1 4 0 5 3 0	1453C	2 0	1 1
HP 4 8 2 8 3 1	48S3P01	5 8	8	KC 1 4 0 5 4 0	1454C	2 2	1 1
HP 4 8 2 9 1 0	48T1P00	6 2	8	KC 1 4 0 5 4 0	1454C	1 6	1 0
HP 4 8 2 9 4 0	48T4P00	6 2	6	KC 1 4 0 5 4 0	1454C	2 4	1 1
HP 4 8 2 9 4 0	48T4P00	5 8	1 1	KC 1 4 0 5 4 0	1454C	1 8	1 0
HP 4 8 2 9 5 0	48T5P00	5 8	6	KC 1 4 0 5 4 0	1454C	1 2	1 0
HP 4 8 2 9 5 0	48T5P00	6 2	5	KC 1 4 0 5 4 0	1454C	1 0	1 0
HP 4 8 2 9 8 0	48T8P00	6 2	1 9	KC 1 4 0 5 4 0	1454C	2 0	1 0
HP 4 8 2 9 8 0	48T8P00	5 8	2 6	KC 1 4 0 5 5 0	1455C	2 2	1 4
HP 4 8 2 9 9 0	48T9P00	6 2	1 2	KC 1 4 0 5 5 0	1455C	1 6	1 2
HP 4 8 2 9 9 0	48T9P00	5 8	1 5	KC 1 4 0 5 5 0	1455C	2 4	1 4
HP 4 8 3 1 1 0	48V1P00	6 2	2	KC 1 4 0 5 5 0	1455C	1 8	1 2
HP 7 1 0 7 9 0	7179P00	4 6	5	KC 1 4 0 5 5 0	1455C	1 2	1 2
HQ 7 4 1 F 3 0	740F3Q0	3 8	3 2	KC 1 4 0 5 5 0	1455C	1 0	1 2
KC 1 1 0 9 1 0	1191C	1 4	8	KC 1 4 0 5 5 0	1455C	2 0	1 2
KC 1 1 0 9 1 0	1191C	8	8	KC 1 4 0 5 6 0	1456C	2 2	1 2
KC 1 1 0 9 1 0	1191C	2 2	5	KC 1 4 0 5 6 0	1456C	1 6	1 1
KC 1 1 0 9 1 0	1191C	1 6	4	KC 1 4 0 5 6 0	1456C	2 4	1 2
KC 1 1 0 9 1 0	1191C	2 2	5	KC 1 4 0 5 6 0	1456C	1 8	1 1
KC 1 1 0 9 1 0	1191C	1 8	4	KC 1 4 0 5 6 0	1456C	1 2	1 1
KC 1 1 0 9 1 0	1191C	1 2	4	KC 1 4 0 5 6 0	1456C	1 0	1 1
KC 1 1 0 9 1 0	1191C	1 0	4	KC 1 4 0 6 3 0	1463C	6 0	2 6
KC 1 1 0 9 1 0	1191C	2 0	4	KC 2 2 0 2 1 0	2221C	2 6	5
KC 1 1 0 9 7 0	1197C	4 6	1 7	KC 2 2 0 6 4 1	2264C01	6 8	2 3
KC 1 2 0 8 4 1	1284C01	1 4	1 2	KC 2 5 0 4 7 1	2547C01	6 8	3 4
KC 1 2 0 8 4 1	1284C01	8	1 2	KC 2 5 0 4 7 1	2547C01	2 6	1 3
KC 1 2 0 8 4 1	1284C01	2 2	1 2	KC 2 5 0 4 8 1	2548C01	6 8	3 3
KC 1 2 0 8 4 1	1284C01	1 6	9	KC 2 5 0 4 8 1	2548C01	2 6	1 1
KC 1 2 0 8 4 1	1284C01	2 4	1 0	KC 2 7 0 0 1 0	2701C	7 0	1 8
KC 1 2 0 8 4 1	1284C01	1 8	9	KC 2 7 0 0 3 0	2703C	7 0	2 2
KC 1 2 0 8 4 1	1284C01	1 2	9	KC 2 7 0 0 5 0	2705C	7 0	2 3
KC 1 2 0 8 4 1	1284C01	1 0	9	KC 2 7 0 0 6 0	2706C	7 0	2 5
KC 1 2 0 8 4 1	1284C01	2 0	9	KC 2 7 0 0 7 0	2707C	7 0	2 7
KC 1 2 0 8 6 0	1286C	2 2	1 5	KC 2 7 0 0 8 0	2708C	7 0	3 1
KC 1 2 0 8 6 0	1286C	1 6	1 4	KC 2 7 0 1 0 1	2710C01	7 0	3 5
KC 1 2 0 8 6 0	1286C	2 2	1 5	KC 2 7 0 1 1 0	2711C	7 0	5 3
KC 1 2 0 8 6 0	1286C	1 8	1 4	KC 2 7 0 1 7 1	2717C01	7 0	3 0
KC 1 2 0 8 6 0	1286C	1 2	1 3	KC 2 7 0 1 8 0	2718C	7 0	2 8
KC 1 2 0 8 6 0	1286C	1 0	1 4	KC 2 7 0 1 9 0	2719C	7 0	1 7
KC 1 2 0 8 6 0	1286C	2 0	1 3	KC 2 7 0 2 2 2	2722C02	7 0	1 9
KC 1 4 0 5 3 0	1453C	2 2	1 3	KC 2 7 0 2 7 1	2727C01	7 0	1 2
KC 1 4 0 5 3 0	1453C	1 6	1 3	KC 2 7 0 2 8 3	2728C03	7 0	1 0
KC 1 4 0 5 3 0	1453C	2 4	1 3	KC 2 7 0 2 9 2	2729C02	7 0	1 4

I N D E X

LIST No.	PART No.	PAGENO.	ITEM	LIST No.	PART No.	PAGENO.	ITEM
KC 2 7 0 3 0 1	2730C01	7 0	1 1	KC 4 7 0 1 9 0	4719C	6 0	1 6
KC 2 7 0 3 3 1	2733C01	7 0	4 0	KC 4 7 0 5 2 0	4752C	6 0	1 5
KC 2 7 0 3 4 1	2734C01	7 0	5 2	KC 4 7 0 5 4 0	4754C	6 0	1 9
KC 2 7 0 3 5 1	2735C01	7 0	4 7	KC 4 7 0 5 9 0	4759C	6 0	1 1
KC 2 7 0 3 6 0	2736C	7 0	4 3	KC 4 7 0 6 2 0	4762C	6 0	1 4
KC 2 7 0 3 7 0	2737C	7 0	4 1	KC 4 7 0 6 4 0	4764C	6 0	1 1
KC 2 7 0 4 0 1	2740C01	7 0	2 1	KC 4 7 0 6 5 0	4765C	6 0	6
KC 2 7 0 6 5 0	2765C	7 0	2 0	KC 4 8 0 1 5 0	4815C	5 6	5
KC 2 7 0 7 0 C	2770C	7 0	4 4	KC 4 8 0 2 1 0	4821C	6 0	4
KC 2 7 0 7 2 0	2772C	7 0	6	KC 4 8 0 2 4 0	4824C	6 0	1
KC 2 7 0 7 8 0	2778C	7 0	5 4	KC 4 8 0 2 6 0	4826C	6 0	3
KC 2 7 0 9 4 0	2794C	6 8	1 3	KC 4 8 0 2 7 0	4827C	6 0	1 8
KC 2 7 0 9 5 0	2795C	6 8	2 0	KC 4 8 0 3 3 0	4833C	6 0	1 0
KC 2 7 0 9 6 0	2796C	6 8	1 4	KC 4 8 0 3 3 0	4833C	6 0	2 4
KC 2 7 0 9 7 0	2797C	6 8	2 2	KC 4 8 0 3 5 0	4835C	5 2	3
KC 2 7 0 9 8 0	2798C	6 8	1 9	KC 4 8 0 3 5 0	4835C	5 6	3
KC 2 7 1 0 0 0	27A0C	6 8	1 2	KC 4 8 0 3 5 0	4835C	5 4	3
KC 2 7 1 0 2 1	27A2C01	6 8	1 1	KC 4 8 1 2 3 0	48C3C	6 0	2 5
KC 2 7 1 0 3 1	27A3C01	6 8	1 0	KC 4 8 1 2 4 0	48C4C	6 0	2 7
KC 2 7 1 0 4 1	27A4C01	6 8	9	KC 4 8 1 2 5 0	48C5C	5 6	5
KC 2 7 1 0 7 0	27A7C	6 8	2 9	KC 4 8 1 2 6 0	48C6C	5 6	6
KC 2 7 1 1 2 0	27B2C	6 8	2 8	KC 4 8 1 2 6 0	48C6C	5 4	5
KC 2 7 1 1 3 0	27B3C	6 8	3 0	KC 4 8 1 3 6 0	48D6C	6 0	3 3
KC 2 7 1 1 4 0	27B4C	7 2	7	KC 5 1 0 2 4 0	5124C	5 0	1 3
KC 2 7 1 1 5 1	27B5C01	7 2	1 1	KC 320310520	3231C	4 8	1 1
KC 2 7 1 1 6 2	27B6C02	7 2	1 5	KC 330310520	3331C	3 4	2 8
KC 2 7 1 1 7 2	27B7C02	7 2	1 0	KC 330310520	3331C	3 6	2 8
KC 2 7 1 1 9 1	27B9C01	6 8	1 8	KF 2 2 0 1 1 0	2211F	2 8	6
KC 2 7 1 2 0 1	27C0C01	6 8	1 7	KF 2 2 0 1 2 0	2212F	2 8	9
KC 2 7 1 2 1 1	27C1C01	6 8	1 6	KF 2 2 0 1 3 0	2213F	2 8	1 0
KC 2 7 1 2 2 0	27C2C	6 8	1 5	KF 2 2 0 1 4 0	2214F	2 8	5
KC 2 7 1 4 3 0	27E3C	7 2	1 7	KF 2 2 0 1 5 0	2215F	2 8	1 1
KC 2 7 1 4 4 0	27E4C	7 2	1	KF 2 2 0 1 6 0	2216F	2 8	7
KC 2 7 1 4 7 0	27E7C	7 2	2 0	KF 2 2 0 1 8 0	2218F	2 8	8
KC 2 7 1 4 8 0	27E8C	7 0	4 9	KF 2 2 0 1 9 0	2219F	2 8	1 2
KC 2 7 1 9 4 0	27J4C	6 8	7	KF 2 2 0 2 2 0	2222F	2 6	3
KC 2 7 1 9 5 0	27J5C	6 8	6	KF 2 2 0 2 3 0	2223F	2 6	7
KC 2 7 1 9 6 0	27J6C	6 8	3	KF 2 2 0 2 3 0	2223F	2 8	1 7
KC 2 7 1 9 7 0	27J7C	6 8	8	KF 2 2 0 2 4 0	2224F	2 8	1 5
KC 3 2 0 5 9 0	3259C	4 8	1	KF 2 2 0 2 5 0	2225F	2 8	1 6
KC 3 3 0 1 7 0	3317C	3 8	2	KF 2 2 0 2 7 0	2227F	2 8	1 9
KC 3 3 0 1 8 0	3318C	7 2	6	KF 2 2 0 2 9 0	2229F	2 6	4
KC 3 3 0 4 1 0	3341C	7 2	2	KF 2 2 0 3 1 0	2231F	2 6	1 2
KC 3 3 0 4 1 0	3341C	3 2	4	KF 2 2 0 4 5 0	2245F	2 8	1 3
KC 3 3 0 5 1 0	3351C	3 8	2 7	KF 2 2 0 4 6 0	2246F	2 8	1 4

I N D E X

LIST No.	PART No.	PAGENO.	ITEM	LIST No.	PART No.	PAGENO.	ITEM
K F 2 2 0 4 7 0	2247F	2 8	1 8	K F 2 3 0 6 1 0	2361G	3 0	1 3
K F 2 2 0 4 8 0	2248F	2 6	2	K F 2 3 0 6 1 0	2361G	3 2	1 3
K F 2 2 0 5 5 0	2255F	2 6	1 0	K F 2 3 0 6 2 0	2362F	3 8	3 5
K F 2 3 0 0 1 0	2301F	3 4	1	K F 2 3 0 6 3 0	2363F	3 0	1 1
K F 2 3 0 0 1 0	2301F	3 6	1	K F 2 3 0 6 3 0	2363F	3 2	1 1
K F 2 3 0 0 2 0	2302F	3 4	3	K F 2 3 0 6 3 0	2363F	3 8	2 6
K F 2 3 0 1 2 0	2312F	3 4	2 0	K F 2 3 0 6 4 0	2364F	3 0	1 2
K F 2 3 0 1 2 0	2312F	3 6	2 0	K F 2 3 0 6 4 0	2364F	3 2	1 2
K F 2 3 0 1 8 0	2318F	3 4	2	K F 2 3 0 6 5 0	2365F	3 0	1 0
K F 2 3 0 1 8 0	2318F	3 6	2	K F 2 3 0 6 5 0	2365F	3 2	1 0
K F 2 3 0 2 1 0	2321F	3 4	4	K F 2 3 0 9 1 0	2391F	3 4	6
K F 2 3 0 2 1 0	2321F	3 6	4	K F 2 3 0 9 1 0	2391F	3 6	6
K F 2 3 0 2 3 0	2323F	3 4	8	K F 2 3 0 9 2 0	2392F	3 4	5
K F 2 3 0 2 3 0	2323F	3 6	8	K F 2 3 0 9 2 0	2392F	3 6	5
K F 2 3 0 2 4 0	2324F	3 4	9	K F 2 3 0 9 3 0	2393F	3 4	7
K F 2 3 0 2 4 0	2324F	3 6	9	K F 2 3 0 9 3 0	2393F	3 6	7
K F 2 3 0 2 5 0	2325F	3 4	1 0	K F 2 4 0 0 3 0	2403F	4 4	3
K F 2 3 0 2 5 0	2325F	3 6	1 0	K F 2 4 0 1 6 0	2416F	4 0	2 2
K F 2 3 0 3 1 0	2331F	3 4	1 2	K F 2 4 0 1 6 0	2416F	4 2	2 2
K F 2 3 0 3 1 0	2331F	3 6	1 2	K F 2 4 0 1 7 0	2417F	4 0	3 1
K F 2 3 0 3 2 0	2332F	3 4	1 1	K F 2 4 0 1 7 0	2417F	4 2	3 1
K F 2 3 0 3 2 0	2332F	3 6	1 1	K F 2 4 0 2 0 0	2420F00	4 4	9
K F 2 3 0 3 3 0	2333F	3 4	2 4	K F 2 4 0 2 8 0	2428F	4 0	2 8
K F 2 3 0 3 3 0	2333F	3 6	2 4	K F 2 4 0 2 8 0	2428F	4 2	2 8
K F 2 3 0 3 4 0	2334F	3 4	1 3	K F 2 4 0 4 2 0	2442F	4 4	1 7
K F 2 3 0 3 4 0	2334C	3 6	1 3	K F 2 4 0 4 4 0	23D3P00	4 4	1 0
K F 2 3 0 3 6 0	2336F	3 4	3 0	K F 2 4 0 4 5 0	2445F	4 4	1 1
K F 2 3 0 3 6 0	2336F	3 6	3 0	K F 2 4 0 4 6 0	2446F	4 4	1 6
K F 2 3 0 4 2 0	2342F	2 8	2	K F 2 4 0 4 7 0	2447F	4 4	1 5
K F 2 3 0 4 5 0	2345F	3 4	1 4	K F 2 4 0 4 8 0	2448F	4 4	1 3
K F 2 3 0 4 5 0	2345F	3 6	1 4	K F 2 4 0 4 9 0	2449F	4 4	1 2
K F 2 3 0 4 6 0	2346F	3 4	1 5	K F 2 4 0 5 2 0	2452F	4 4	7
K F 2 3 0 4 6 0	2346F	3 6	1 5	K F 2 4 0 5 3 0	2453F	4 4	4
K F 2 3 0 4 8 0	2348F	3 4	1 9	K F 2 4 0 5 5 0	2455F	4 4	6
K F 2 3 0 4 8 0	2348F	3 6	1 9	K F 2 4 0 5 6 0	2456F	4 4	5
K F 2 3 0 5 1 0	2351F	3 0	6	K F 2 4 0 6 1 0	2461F	4 4	1 8
K F 2 3 0 5 1 0	2351F	3 2	6	K F 2 4 0 7 0 0	2470F	4 0	2 4
K F 2 3 0 5 3 0	2368F00	3 0	3	K F 2 4 0 7 0 0	2470F	4 2	2 4
K F 2 3 0 5 3 0	2368F00	3 2	3	K F 2 4 0 7 1 0	2471F	4 0	1 9
K F 2 3 0 5 4 0	3341C	3 0	4	K F 2 4 0 7 1 0	2471F	4 2	1 9
K F 2 3 0 5 5 0	2355F	3 0	9	K F 2 4 0 7 4 0	2474F	4 0	2 9
K F 2 3 0 5 5 0	2355F	3 2	9	K F 2 4 0 7 4 0	2474F	4 2	2 9
K F 2 3 0 5 8 0	2358F	7 0	9	K F 2 4 0 7 5 0	2475F	4 0	3 0
K F 2 3 0 5 8 0	2358F	3 0	5	K F 2 4 0 7 5 0	2475F	4 2	3 0
K F 2 3 0 5 8 0	2358F	3 2	5	K F 2 4 0 7 6 0	2476F	4 0	2 7

I N D E X

LIST No.	PART No.	PAGENO.	ITEM	LIST No.	PART No.	PAGENO.	ITEM
K F 2 4 0 7 6 0	2476F	4 2	2 7	K G 2 4 0 2 2 0	2422G	4 0	2 3
K F 2 4 0 7 8 0	2478F	4 0	2 5	K G 2 4 0 2 2 0	2422G	4 2	2 3
K F 2 4 0 7 8 0	2478F	4 2	2 5	K G 2 4 0 2 5 1	2425G01	4 0	2 1
K F 2 4 0 9 0 0	2490F00	4 6	6	K G 2 4 0 2 5 1	2425G01	4 2	2 1
K F 2 4 0 9 1 0	2491F	4 0	2 6	K G 2 4 1 0 3 1	24A3G01	4 6	9
K F 2 4 0 9 1 0	2491F	4 2	2 6	K G 2 7 0 2 8 2	2728G02	7 0	1 0
K F 2 4 0 9 3 0	2493F	4 0	1 5	K G 2 7 0 3 1 0	2731G	7 0	7
K F 2 4 0 9 3 0	2493F	4 2	1 5	K G 3 3 0 1 5 0	3315G	3 8	1 8
K F 2 5 0 2 0 0	2520F	4 0	3 3	K G 7 1 0 1 6 1	7116G01	4 6	3
K F 2 5 0 2 0 0	2520F	4 2	3 3	K N 2 3 0 4 1 0	2341N00	2 8	1
K F 3 1 0 0 7 1	3107U01	5 0	9	K N 2 3 0 4 3 0	2343N00	2 8	3
K F 3 2 0 0 4 0	3204F	4 8	2	K N 2 3 1 6 6 0	23G6N01	3 4	2 5
K F 3 2 0 5 1 0	3251F	4 8	3	K N 2 3 1 6 7 0	23G7N01	3 6	2 5
K F 3 2 0 5 2 0	3252F	4 8	4	K N 2 3 1 6 9 0	23G9N00	3 4	3 1
K F 3 2 0 5 3 0	3253F	5 0	1	K N 2 3 1 7 0 0	23H0N00	3 6	3 1
K F 3 2 0 9 1 0	3291F	5 0	2 4	K N 2 4 0 8 2 0	2482N00	4 0	3 2
K F 3 3 0 3 8 1	3381F01	3 0	1	K N 2 4 0 8 2 0	2482N00	4 2	3 2
K F 3 3 0 3 8 1	3388F01	3 2	1	K N 2 7 0 1 6 0	2716N00	7 0	5
K F 3 3 0 3 8 1	3388F01	3 4	2 7	K N 2 7 1 6 0 0	27G0N00	6 8	2 5
K F 3 3 0 3 8 1	3388F01	3 6	2 7	K N 2 7 1 6 5 1	27G5N01	6 8	4
K F 5 3 0 1 1 0	5311F	6 4	1 8	K N 2 7 1 6 6 1	27G6N01	6 8	5
K F 5 3 0 1 1 0	5311F	6 6	1 9	K N 2 7 1 7 1 1	27H1N01	7 2	1 9
K F 5 3 0 1 2 0	5312F	6 4	1 8	K N 2 7 1 8 4 0	2714N00	7 0	3 8
K F 5 3 0 1 2 0	5312F	6 6	1 9	K N 2 7 1 8 5 0	2715N00	7 0	3 7
K F 5 3 0 1 5 0	5315F	6 4	2 0	K N 2 7 1 8 9 0	2719N00	6 8	2 4
K F 5 3 0 1 5 0	5315F	6 6	2 1	K N 2 7 2 3 5 0	27N5N00	7 2	8
K F 5 3 0 1 6 0	5316F	6 4	1 5	K N 4 7 0 6 9 0	4769N00	6 0	1 2
K F 5 3 0 1 6 0	5316F	6 6	1 6	K N 4 8 0 4 0 0	4840N00	5 2	2
K F 5 3 0 1 7 0	5317F	6 4	1 6	K N 4 8 0 4 0 0	4840N00	5 4	2
K F 5 3 0 1 7 0	5317F	6 6	1 7	K N 4 8 0 4 2 0	4842N00	5 2	2
K F 5 3 0 1 8 0	5318F	6 4	1 9	K N 4 8 0 7 9 0	4879N00	6 0	1 7
K F 5 3 0 1 8 0	5318F	6 6	2 0	K N 4 8 2 0 0 0	48K0N00	5 8	2 1
K F 5 3 0 1 9 0	5319F	6 4	1 7	K N 4 8 2 0 1 0	48K1N00	5 8	1 3
K F 5 3 0 1 9 0	5319F	6 6	1 8	K N 4 8 2 8 7 0	48S7H00	5 8	5
K F 5 4 0 1 7 0	5417F	4 8	8	K N 4 8 2 8 8 0	48S8N00	5 8	7
K F 5 4 0 1 8 0	5418F	4 8	6	K N 4 8 3 4 0 0	48Y0N00	5 8	2 0
K F 5 4 0 3 5 0	5435F	4 8	9	K N 4 8 3 4 5 0	48Y5N00	5 8	2 2
K F 7 1 0 2 8 0	7128F	4 6	8	K N 5 1 0 5 7 0	5157N00	4 6	2 5
K F 7 1 0 3 0 0	7130F	4 6	1	K U 1 2 0 8 0 0	1280U00	1 4	9
K G 1 2 0 6 6 2	1266G02	1 4	2	K U 1 2 0 8 0 0	1280U00	8	9
K G 1 2 0 6 6 2	1266G02	8	2	K U 1 2 0 8 0 0	1280U00	2 2	7
K G 1 2 0 6 6 2	1266G02	2 0	2	K U 1 2 0 8 0 0	1280U00	1 6	6
K G 2 1 0 2 8 2	2128G02	6 8	2 6	K U 1 2 0 8 0 0	1280U00	2 4	7
K G 2 1 0 9 1 1	2191G01	6 8	3 5	K U 1 2 0 8 0 0	1280U00	1 8	6
K G 2 3 0 0 2 0	2302F	3 6	3	K U 1 2 0 8 0 0	1280U00	1 2	6

I N D E X

LIST No.	PART No.	PAGENO.	ITEM	LIST No.	PART No.	PAGENO.	ITEM
KU 1 2 0 8 0 0	1280U00	1 0	6	KU 3 1 0 1 6 0	3116U00	4 8	1 0
KU 1 2 0 8 0 0	1280U00	2 0	6	KU 3 1 2 7 2 0	31R2U00	5 0	7
KU 1 2 1 3 1 0	12D1U00	2 4	3	KU 3 1 2 7 3 0	31R3U00	5 0	5
KU 1 2 1 3 1 0	12D1U00	1 8	2	KU 3 1 2 7 4 0	31R4U00	5 0	4
KU 1 2 1 3 2 0	12D2U00	2 4	2	KU 3 1 2 7 5 0	31R5U00	5 0	3
KU 1 2 1 3 2 0	12D2U00	1 8	3	KU 3 1 2 7 7 1	31R7U01	4 8	5
KU 1 2 1 3 2 0	12D2U00	1 2	2	KU 3 3 1 7 1 0	33H1U00	3 8	3 0
KU 1 4 0 5 5 0	1455U00	1 4	1 1	KU 3 3 1 7 2 0	33H2U00	3 8	3 1
KU 1 4 0 5 5 0	1455U00	8	1 1	KU 3 3 1 7 3 0	33H3U00	3 8	2 9
KU 1 4 0 7 0 0	1470U00	1 4	7	KU 3 3 1 7 4 0	33H4U00	3 8	7
KU 1 4 0 7 0 0	1470U0U	8	7	KU 3 3 1 7 5 0	33H5U00	3 8	4 0
KU 1 5 1 6 0 1	15G0U01	8	1	KU 3 3 1 7 6 0	33H6U00	3 8	4 1
KU 1 5 1 6 1 1	15G1U01	1 4	1	KU 3 3 1 9 0 0	33J0U00	3 8	1 5
KU 1 5 1 6 3 1	15G3U01	1 8	1	KU 3 3 1 9 1 0	33J1U00	3 8	4
KU 1 5 1 6 4 2	15G4U02	2 0	1	KU 3 3 1 9 3 0	33J3U00	3 8	1 2
KU 1 5 1 6 5 1	15G5U01	2 2	1	KU 4 6 0 2 7 0	4627U00	6 0	3 0
KU 1 5 1 6 6 1	15G6U01	2 4	1	KU 4 6 0 2 7 0	4627U00	6 2	2 4
KU 1 5 1 6 7 1	15G7U01	1 0	1	KU 4 6 0 2 7 0	4627U00	5 8	1 7
KU 1 5 1 6 8 0	15G8U00	1 6	1	KU 4 6 0 3 2 1	4632U01	6 2	2 2
KU 1 5 1 6 9 0	15G9U00	1 2	1	KU 4 6 0 3 4 2	463U02	5 8	1
KU 1 5 1 7 0 0	15H0U00	8	6	KU 4 6 0 3 6 0	4636U0K	6 2	2 7
KU 1 5 1 7 1 0	15H1U00	1 4	6	KU 4 6 0 3 7 2	4637U02	6 0	2 2
KU 1 5 1 7 3 1	15H3U01	1 8	7	KU 4 6 0 3 8 0	4638U00	6 0	3 1
KU 1 5 1 7 4 1	15H4U01	2 0	7	KU 4 6 0 3 9 0	4639U00	6 0	2 9
KU 1 5 1 7 5 1	15H5U01	2 2	8	KU 4 6 0 4 6 1	4646U01	5 8	1 8
KU 1 5 1 7 6 1	15H6U01	2 4	8	KU 4 7 0 1 0 0	4710U00	6 2	1 3
KU 1 5 1 7 8 1	15H8U01	1 0	7	KU 4 7 0 1 1 0	4711U00	5 2	1 0
KU 1 5 1 7 9 0	15H9U00	1 6	7	KU 4 7 0 1 1 0	4711U00	5 6	1 0
KU 1 5 1 9 1 0	15J1U00	1 2	7	KU 4 7 0 1 1 0	4711U00	5 4	9
KU 1 6 1 6 0 1	16G0U01	8	5	KU 4 7 0 1 5 1	4715U01	5 2	9
KU 1 6 1 6 1 1	16G1U01	1 4	5	KU 4 7 0 1 5 1	4715U01	5 6	9
KU 1 6 1 6 3 1	16G3U01	1 8	8	KU 4 7 0 1 5 1	4715U01	5 4	8
KU 1 6 1 6 4 1	16G4U01	2 0	8	KU 4 7 0 4 0 0	4740U00	6 2	1 7
KU 1 6 1 6 5 1	16G5U01	2 2	9	KU 4 8 0 1 3 0	4813U00	6 2	1 6
KU 1 6 1 6 6 1	16G6U01	2 4	9	KU 4 8 0 1 6 0	4816U00	5 6	4
KU 1 6 1 6 7 1	16G7U01	1 0	8	KU 4 8 1 0 5 0	48A5U00	5 4	4
KU 1 6 1 6 8 0	16G8U00	1 6	8	KU 4 8 1 0 9 0	48A9V00	5 2	4
KU 1 6 1 6 9 0	16G9U00	1 2	8	KU 4 8 1 2 8 1	48C8C01	6 0	3 2
KU 2 1 0 8 0 0	2180U00	2 6	1	KU 4 8 3 1 8 0	48V8U00	6 2	4
KU 2 1 0 8 1 0	2181U00	2 6	1	KU 4 8 3 4 4 0	48Y4U00	5 8	9
KU 2 1 0 8 2 0	2182U00	2 6	1	KU 4 9 0 1 8 0	4918U00	6 2	1 0
KU 2 1 0 8 3 0	2183U00	2 6	1	KU 4 9 0 7 1 0	4971U00	5 2	1 3
KU 3 1 0 0 8 1	3108U01	5 0	9	KU 4 9 0 7 2 0	4972U00	5 2	1 3
KU 3 1 0 1 3 0	3113U00	5 0	1 0	KU 5 1 0 4 1 0	5141U00	4 0	1 8
KU 3 1 0 1 5 0	3115U00	5 0	8	KU 5 1 0 4 1 0	5141U00	4 2	1 8

I N D E X

LIST No.	PART No.	PAGENO.	ITEM	LIST No.	PART No.	PAGENO.	ITEM
KU 5 1 1 2 1 0	51C1U00	6 4	3				
KU 5 1 1 2 1 0	51C1U00	6 6	4				
KU 5 1 1 2 4 0	51C4T00	6 6	3				
KU 5 4 0 1 6 0	5416U00	4 8	7				
MA 1 4 0 3 8 0	1438A	1 4	3				
MA 1 4 0 3 8 0	1438A	8	3				
MA 1 4 0 5 3 0	1453A	1 4	1 2				
MA 1 4 0 5 3 0	1453A	8	1 4				
MA 1 4 0 5 4 0	1454A	1 4	1 3				
MA 1 4 0 5 4 0	1454A	8	1 3				
MA 1 4 0 5 7 0	1457A	1 4	1 4				
MA 1 4 0 5 7 0	1457A	8	1 2				
MA 1 4 0 5 8 0	1458A	1 4	1 5				
MA 1 4 0 5 8 0	1458A	8	1 5				
MA 1 4 0 6 9 0	1469A	1 4	4				
MA 1 4 0 6 9 0	1469A	8	4				
MA 1 5 0 4 9 1	1549A01	2 2	2				
MA 1 5 0 4 9 1	1549A01	1 6	2				
MA 1 5 0 4 9 1	1549A01	1 0	2				
MA 2 2 0 5 1 0	2251A	2 6	9				
MA 2 5 0 1 3 1	2513A01	2 6	8				
MA 4 5 0 5 2 0	4552A	5 2	1				
MA 4 5 0 6 6 0	4566A	5 6	1				
MA 4 5 0 7 6 0	4576A	5 4	1				
MA 4 7 1 0 2 0	47A2A	5 2	1 1				
MA 4 8 1 0 8 0	47A8A	5 4	1 0				
MT 2 3 0 4 9 0	2349T00	3 0	2				
MT 2 3 0 5 2 0	2352T00	3 0	8				
MT 2 3 0 5 2 0	2352T00	3 2	8				
MT 2 3 0 8 3 0	2383T00	3 2	2				
MT 3 1 0 1 3 0	3113T00	5 0	1 0				
MT 3 1 4 4 1 0	31DDT00	5 0	1 2				
MT 3 1 4 4 2 0	31DET00	5 0	1 1				
MT 4 6 0 2 4 0	4624T00	6 2	2 5				
MT 4 6 0 2 4 0	4624T00	5 8	1 8				
MT 5 1 0 2 1 0	5121T00	5 0	1 4				
MT 5 1 0 6 7 0	5167T00	4 6	2 1				
MT 5 1 0 6 8 0	5168T00	4 6	1 9				
MT 5 1 0 7 9 0	5179T00	4 6	2 0				
MT 5 1 1 2 2 0	51C2T00	6 6	2				
MT 5 1 1 2 7 0	51C7T00	6 4	2				
TF 2 2 0 3 1 0	2231F	6 8	3 2				
TF 2 3 0 6 4 0	2364F	6 8	3 1				